

Important information, please read first!

Please pass the manual on to the user for safekeeping after installation.

Technical data

Volume: 650ml

Power: 9V(6 x AA Batteries, included)

Dosage: factory setting approx. 1.6ml, adjustable to 0.8-6.5ml, 7 levels

Ambient temperature: 1-45°C

Safety information

- This device is for indoor use only, to be installed in frost-free rooms.
- Children must be supervised to use the dispenser.
- If the dispenser is to be moved, the batteries must be removed first.
- The dispenser must not be disposed of as household waste.
- Dispose of batteries according to locally applicable laws and regulations.
- Never place the device in water or under running water!

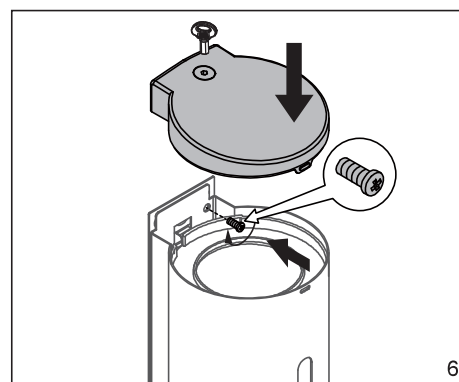
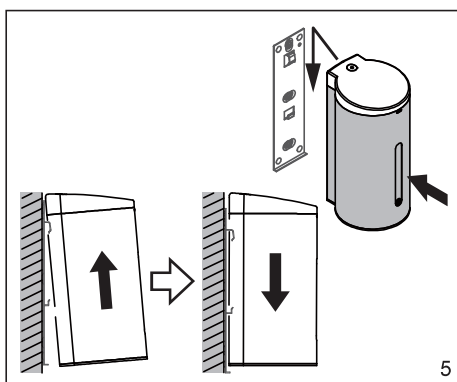
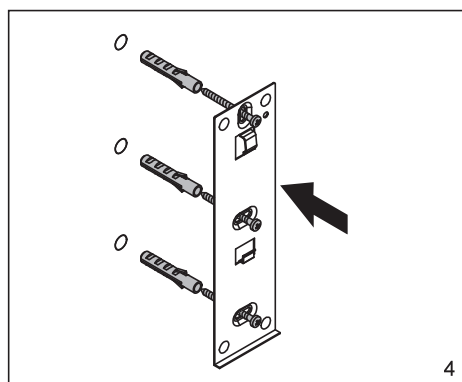
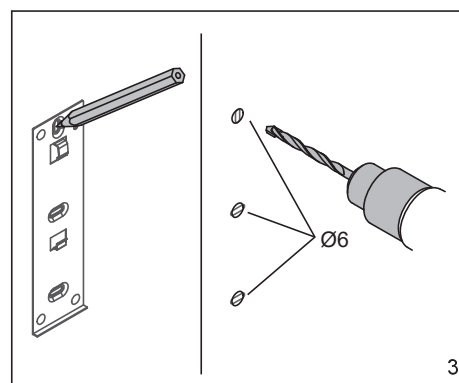
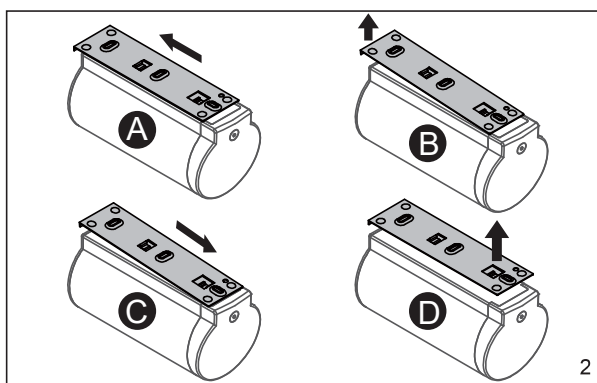
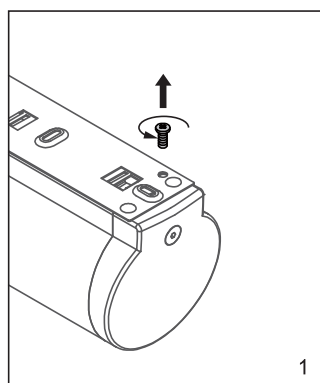
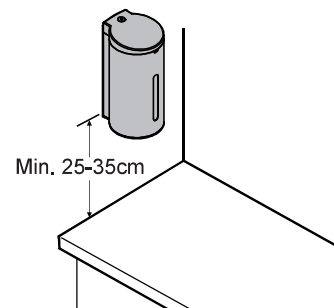
CE Declaration of conformity. This product complies with the requirement of the valid EU guidelines.
The declaration of conformity is available from the distributor on request.

Mounting instruction

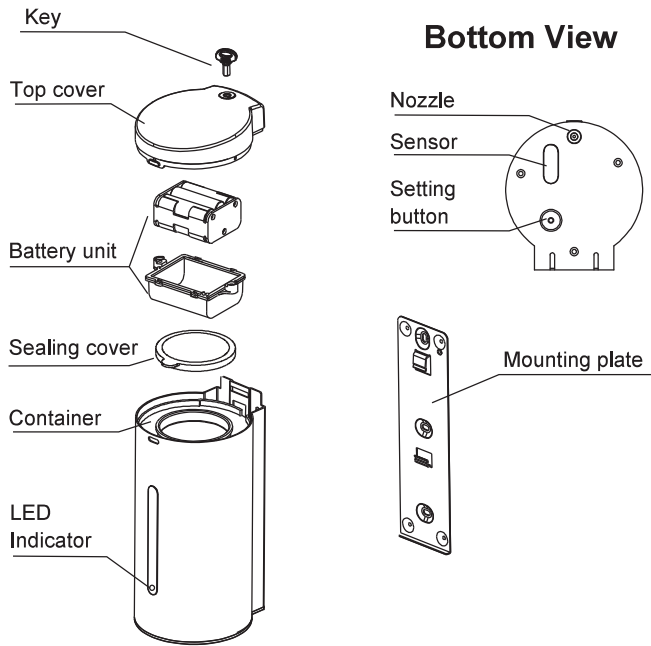
Min. 25 cm above normal table top.

Min. 35 cm above stainless steel table top / reflective surface.

A shorter distance between the dispenser and table top may lead to an undesired dosage.

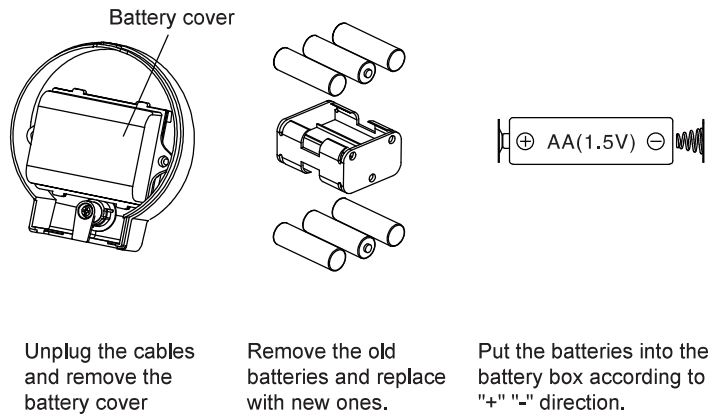


Parts overview



Battery Installation

If the LED indicator flashes continuously, please replace the batteries immediately.



Operation

To use the device with default setting

- After installing the batteries, the LED indicator flashes 5 times, when it stops flashing, the device is ready for setting.
- The device will have default setting (dosage approx. 1.6ml, level 2) after 30 seconds without setting.
- Place your hand 5-10cm under the nozzle to use the device.

To switch off/on the device

- Switch off: press the setting button 5 times, the LED indicator light stays on for 3 seconds, the device is switched off.
 - Switch on: press the setting button for 2 seconds, the LED indicator light stays on for 3 seconds, the device is switched on.
- The device keeps the setting status after being switched off.

To adjust the dosage(approx. 0.8-6.5ml, 7 levels)

- Press the setting button for min. 15 seconds (while the LED indicator light stays on) till the LED indicator fast flashes, release the setting button.
- Once it stops fast flashing, press the setting button 2 times, the LED indicator slowly flashes 5 times. **Dosage must be adjusted while the LED indicator is flashing!!!** Put your hand under the dosing nozzle, the device will run automatically from level 1 (approx. 0.8ml) to level 7 (approx. 6.5ml) in 7 steps, once the total liquid volume in the hand reaches the desired volume, remove the hand immediately, the dosage level will be set in the device.
- The device will automatically run once every 72 hours if not used, to avoid being blocked by soap.

Refill

