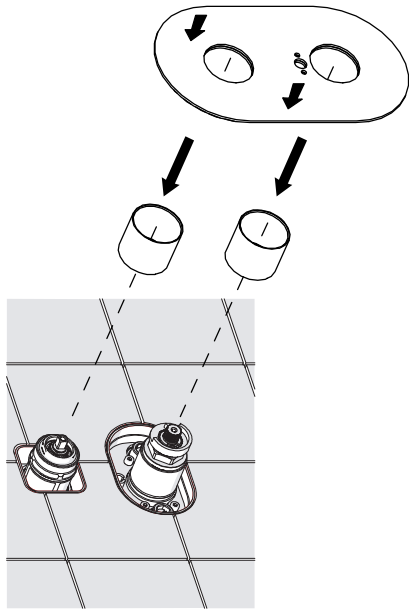
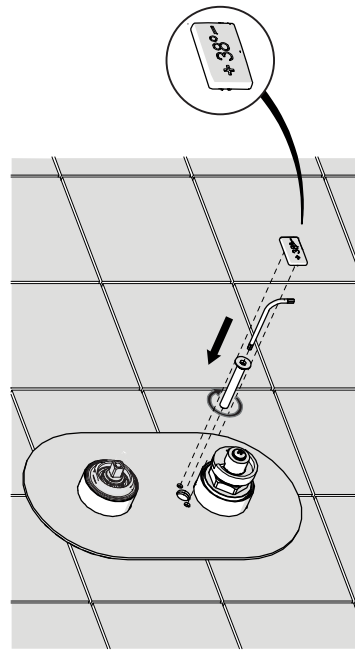


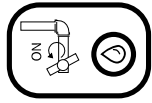
5



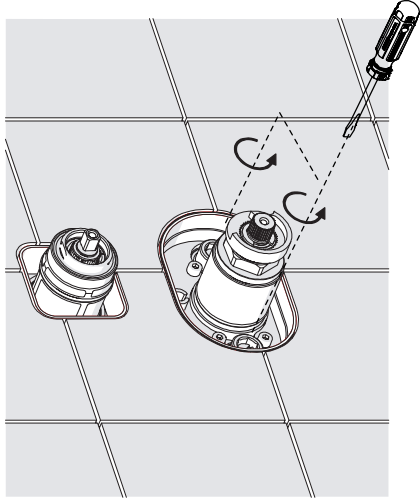
6



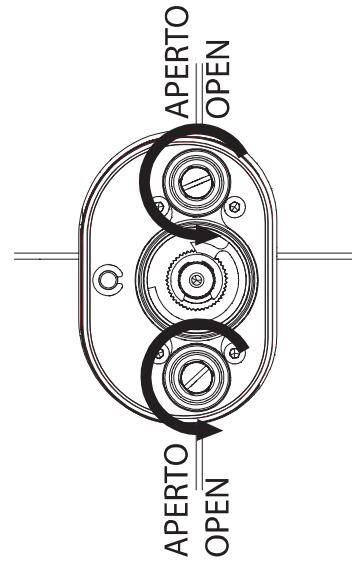
3



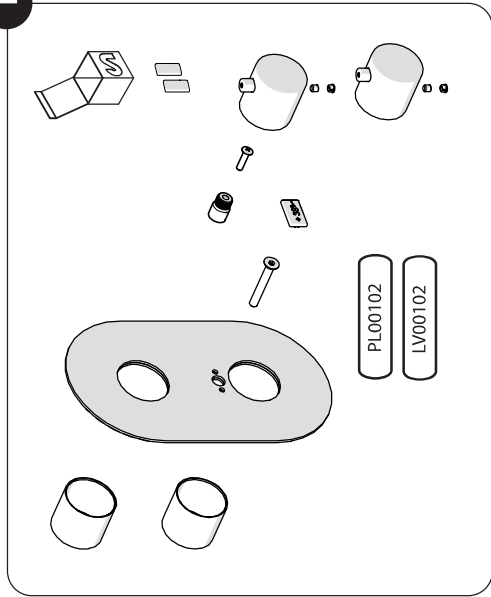
REF. MANUAL WE00102



4



1

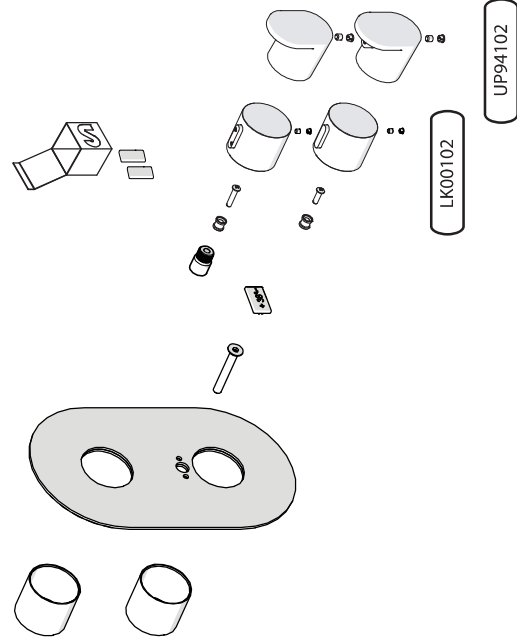


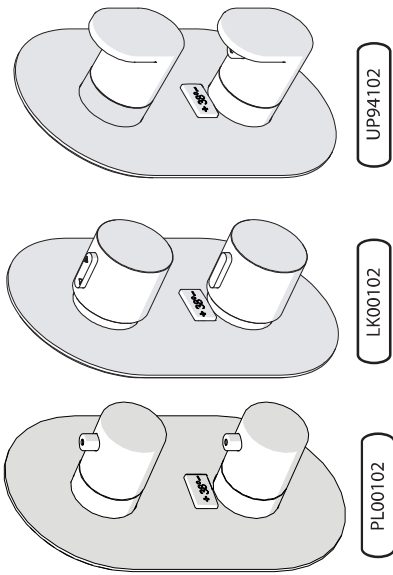
+

Not included / Non incluso / Non Includo / Nie zawarty / No incluido / Nao incluido

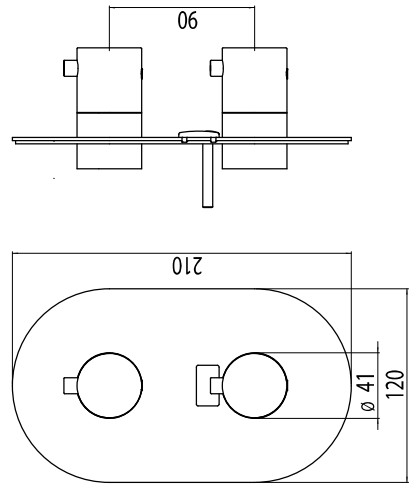


2

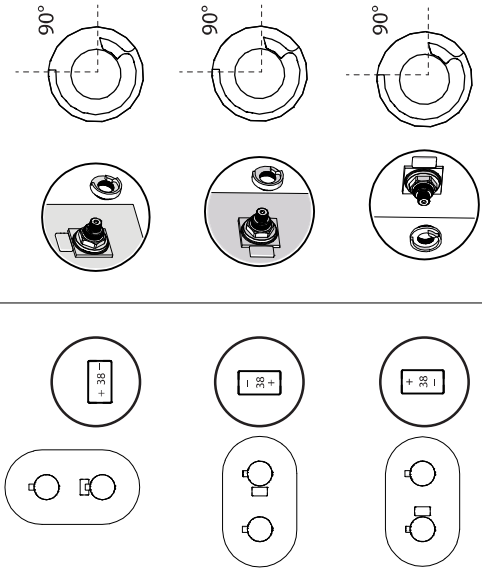




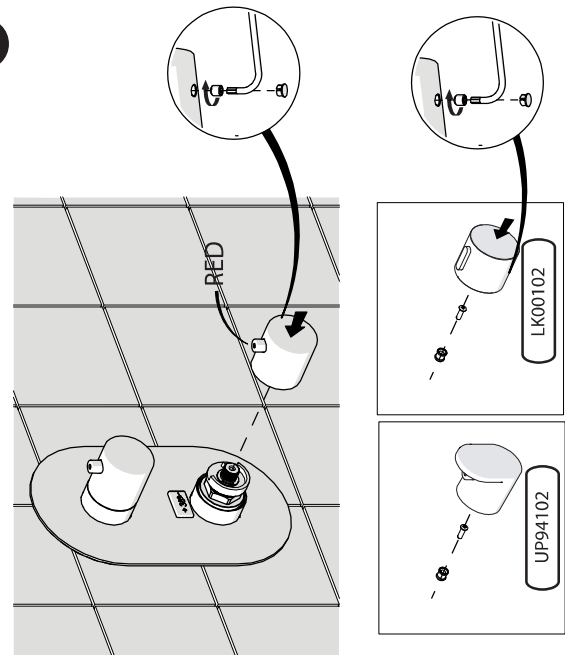
ISTR00102/T/#---STD



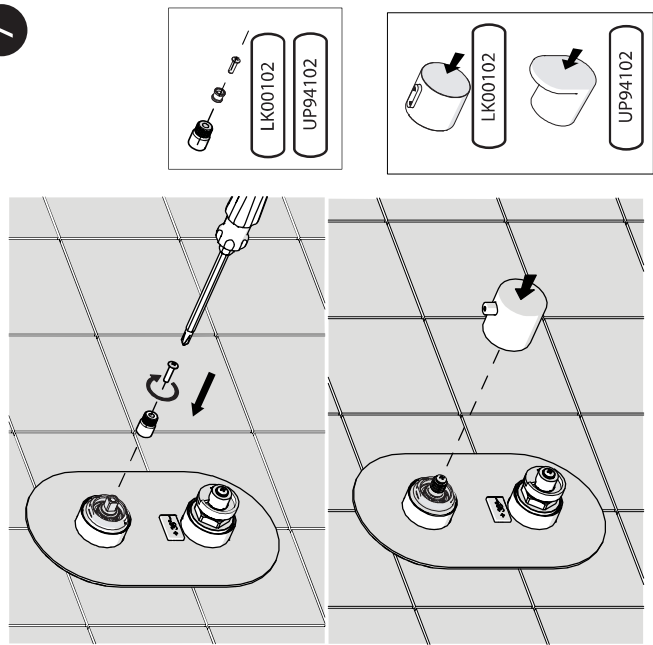
9



10



7



8

