



SPECIFICATIONS

2-way flush-fit single-control external part

Chrome

Fixed hand shower support

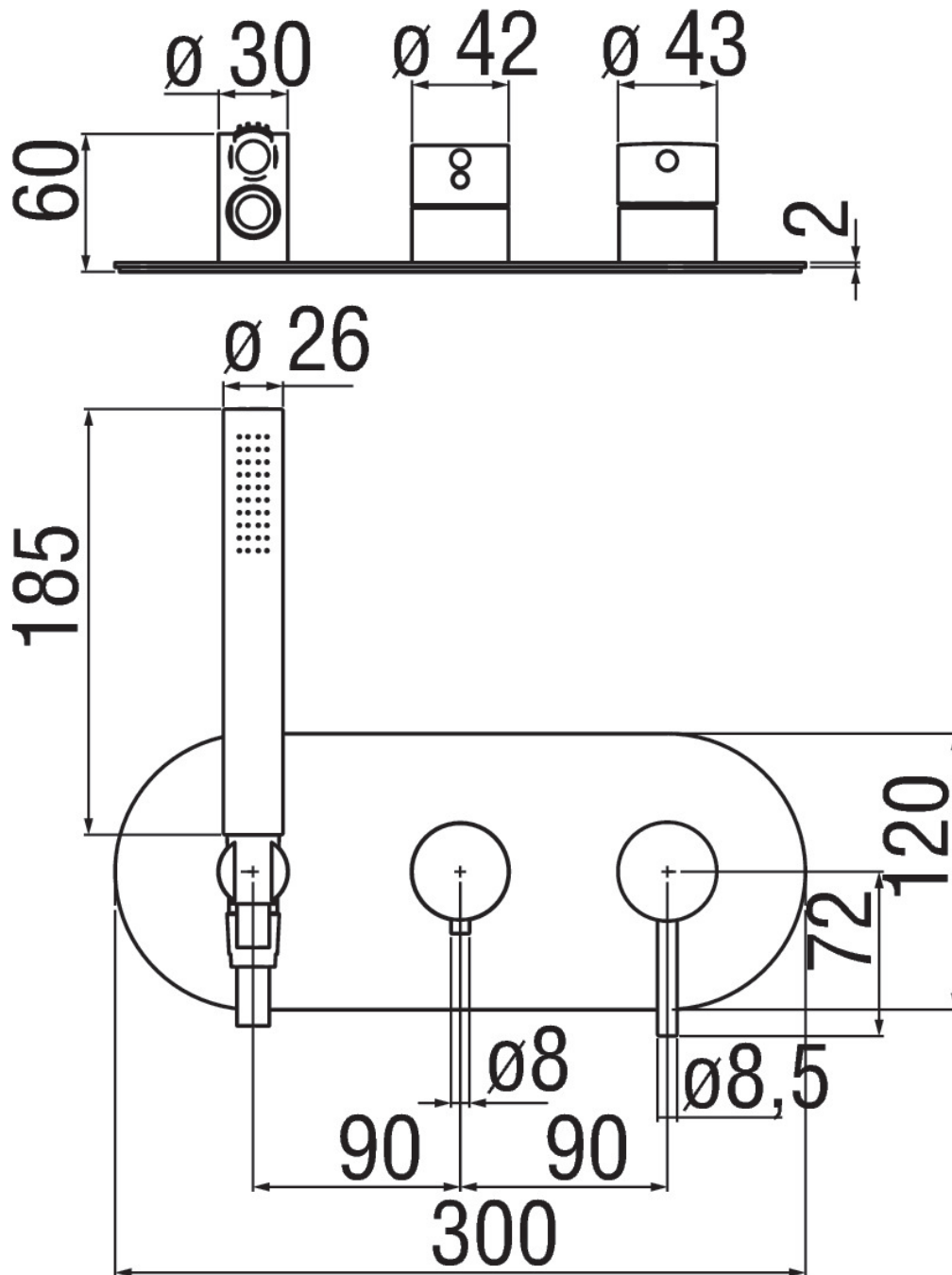
Single jet hand shower

150 cm hose

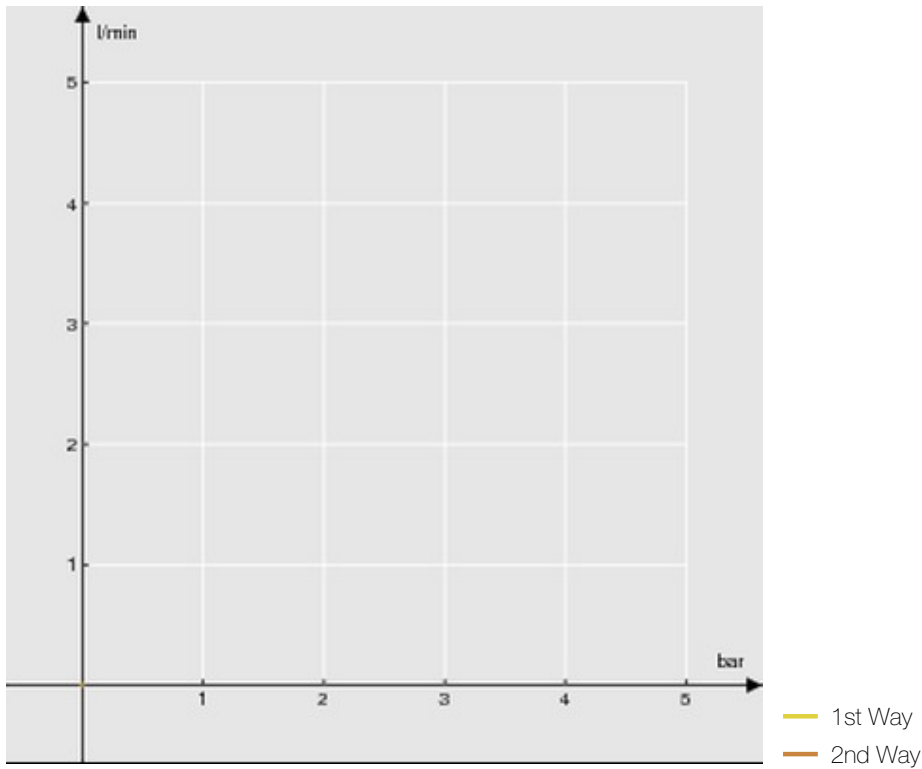
2-way deviator

Free match for the second way

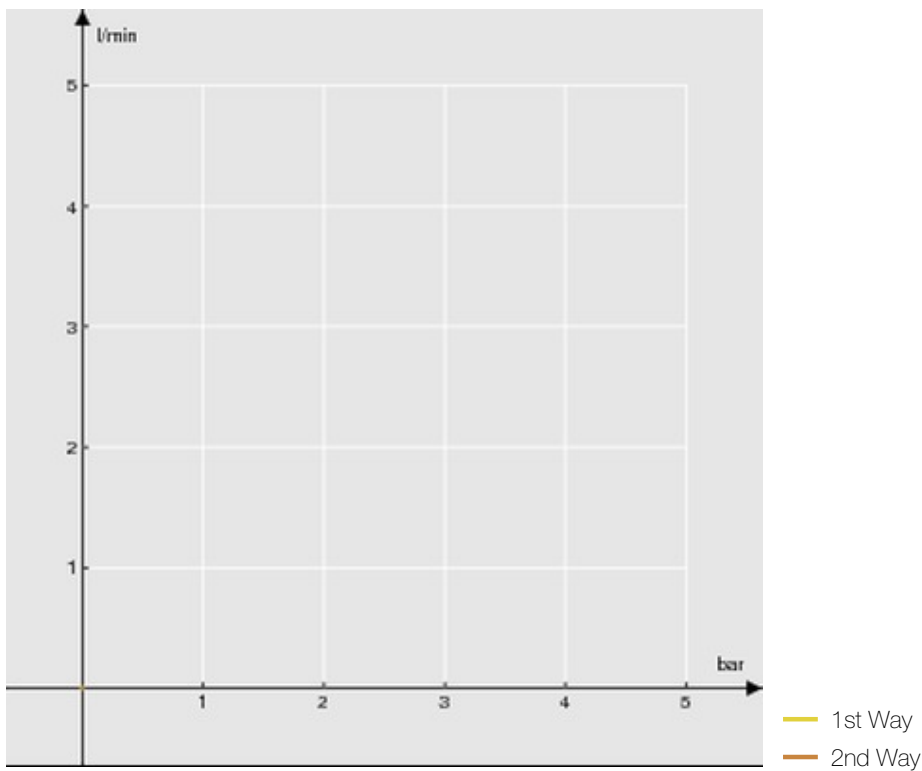
50% two step cartridge for water saving

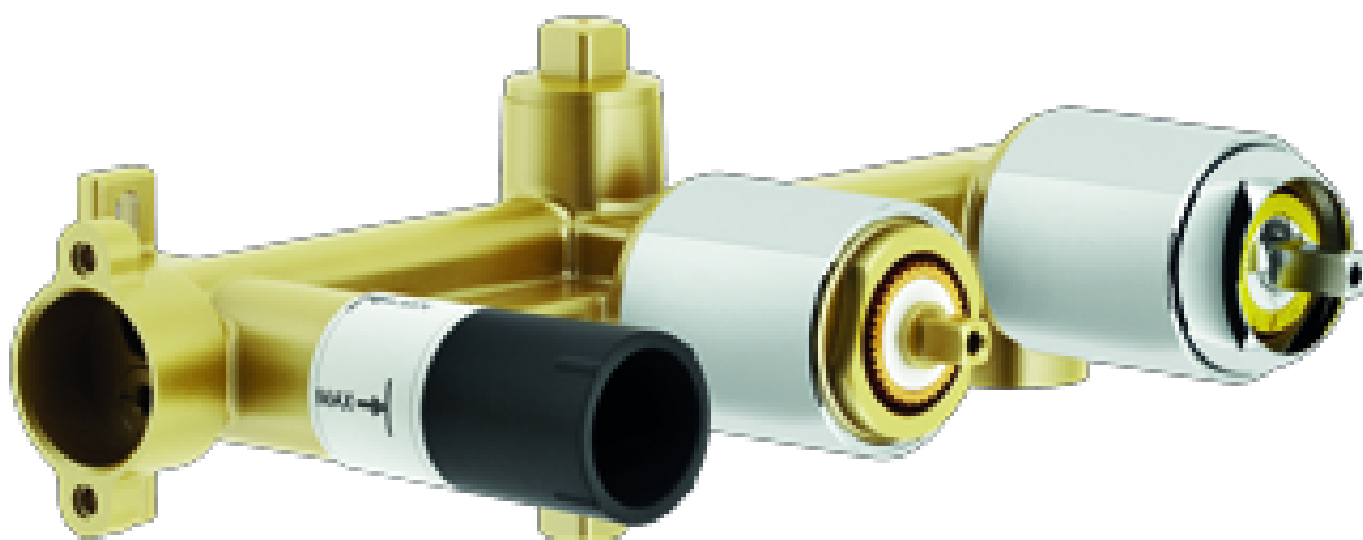


FLOW RATE DIAGRAM: HOT/COLD WATER



FLOW RATE DIAGRAM: MIXED WATER





SPECIFICATIONS

Required flush-fit part

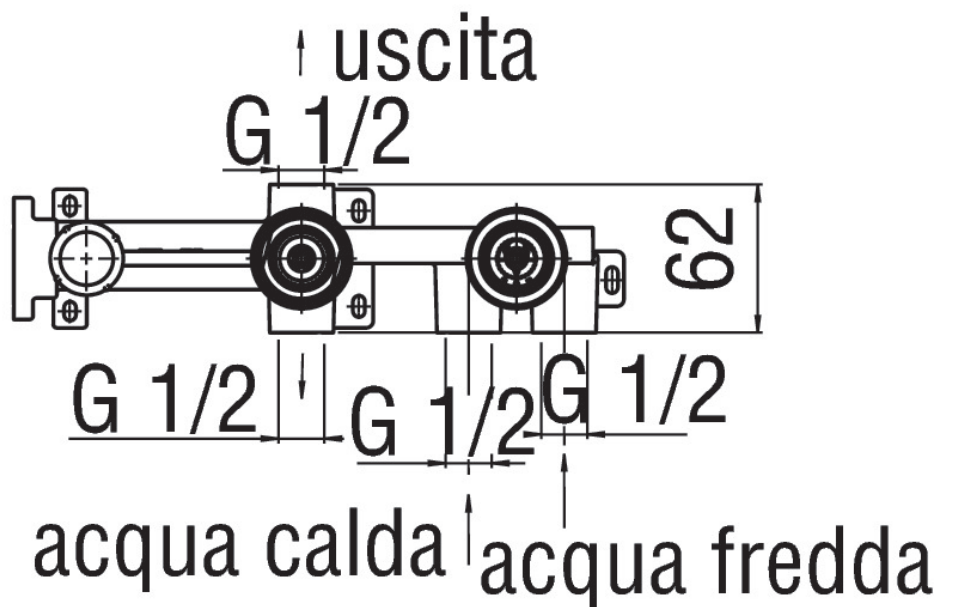
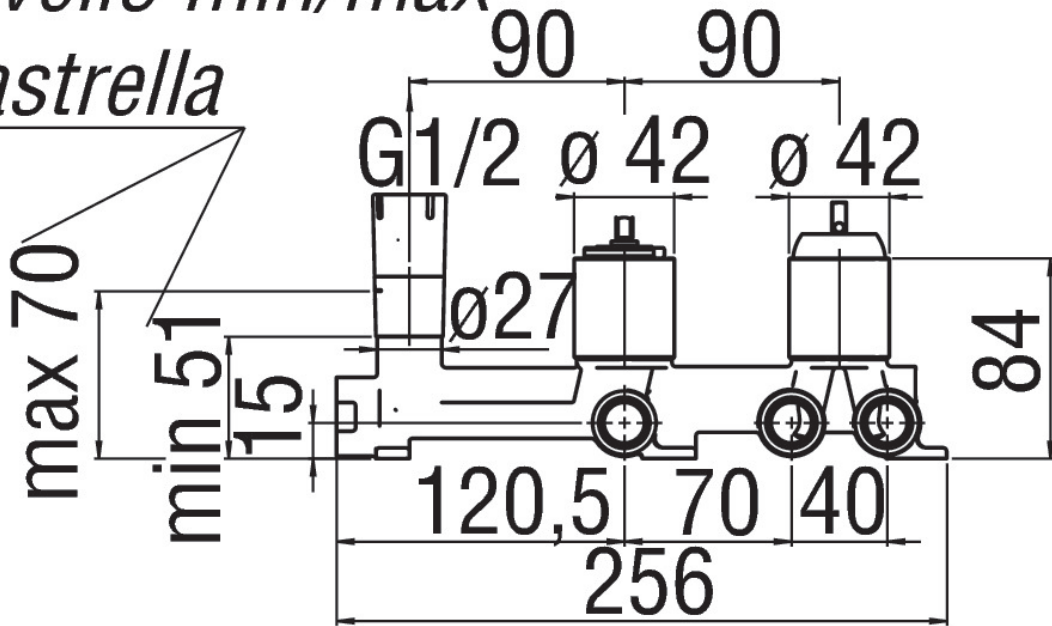
Chrome

ø 1/2" hot and cold water inlet

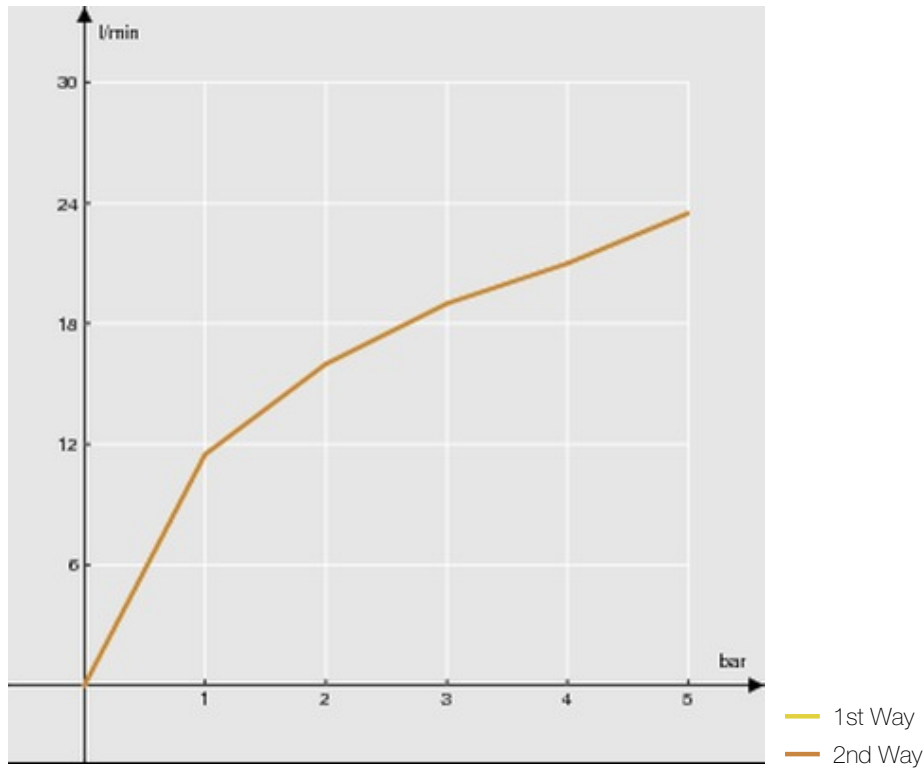
ø 1/2" outlets

Packaging: 36 x 10,4 x 13,4 cm / 0,00502 m<sup>3</sup> / 2,2 kg

*Livello min/max  
piastrella*



FLOW RATE DIAGRAM: HOT/COLD WATER



FLOW RATE DIAGRAM: MIXED WATER

