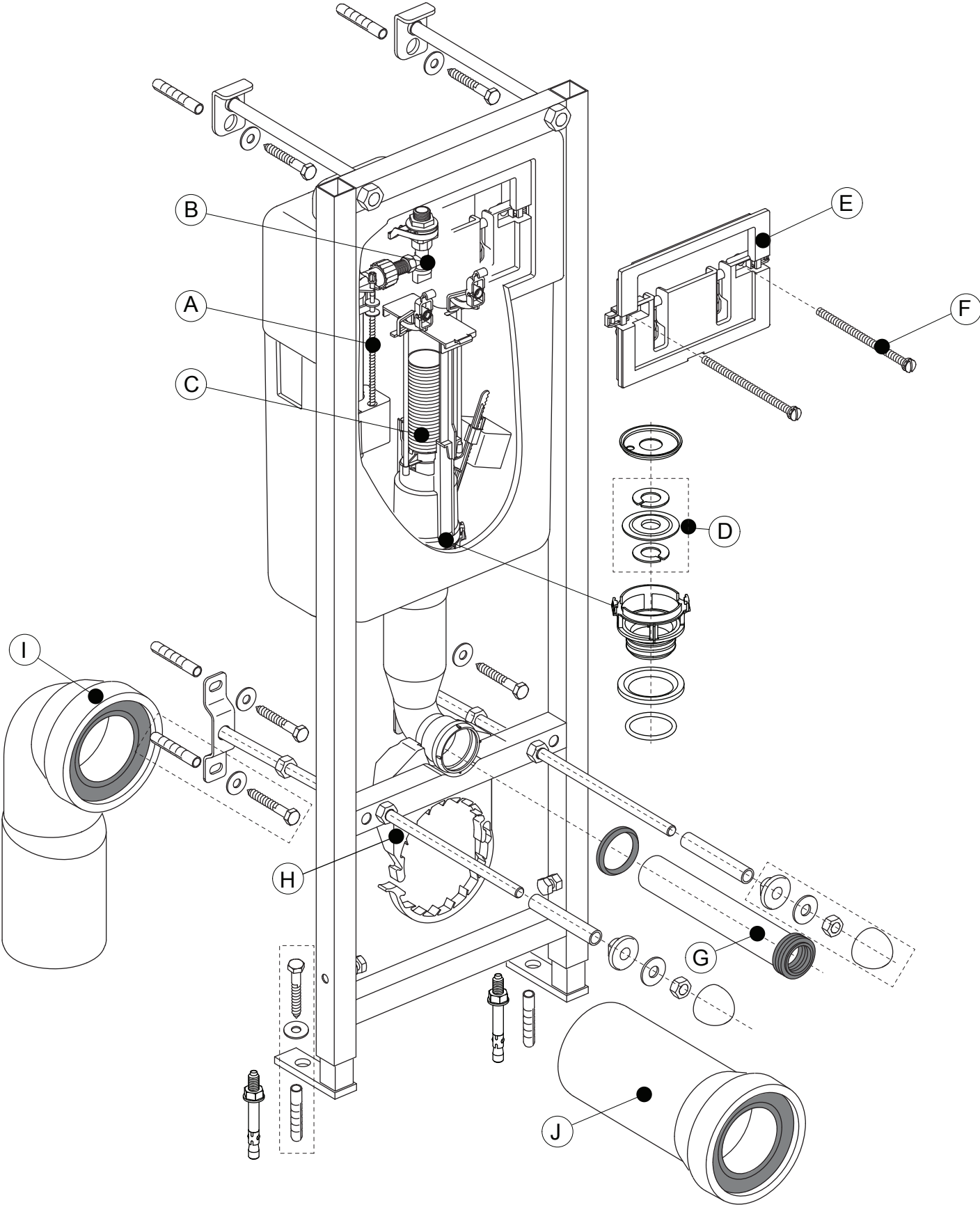


Spare parts



Spare parts

REP.	CODE	DESCRIPTION
A	W873667	Inlet valve
B	W872067	Stop valve 3/8 F - 1/2 F
C	W872167	Outlet mechanism
D	W872767	Set of clip and seal for W872167 - 20 pcs
E	W872267	Assembly part with hooks for contr. plate
F	B960829NU	Plate fixing screws - 4 pcs
G	W870667	Supply pipe D45 seal
H	W871167	Pipe attachment collar
I	W871567	Outlet elbow HDPE D110mm
J	W870767	Out sleeve straight HDPE L170mm / D100mm
K	F963585NU	Connection straight L300mm / D90mm