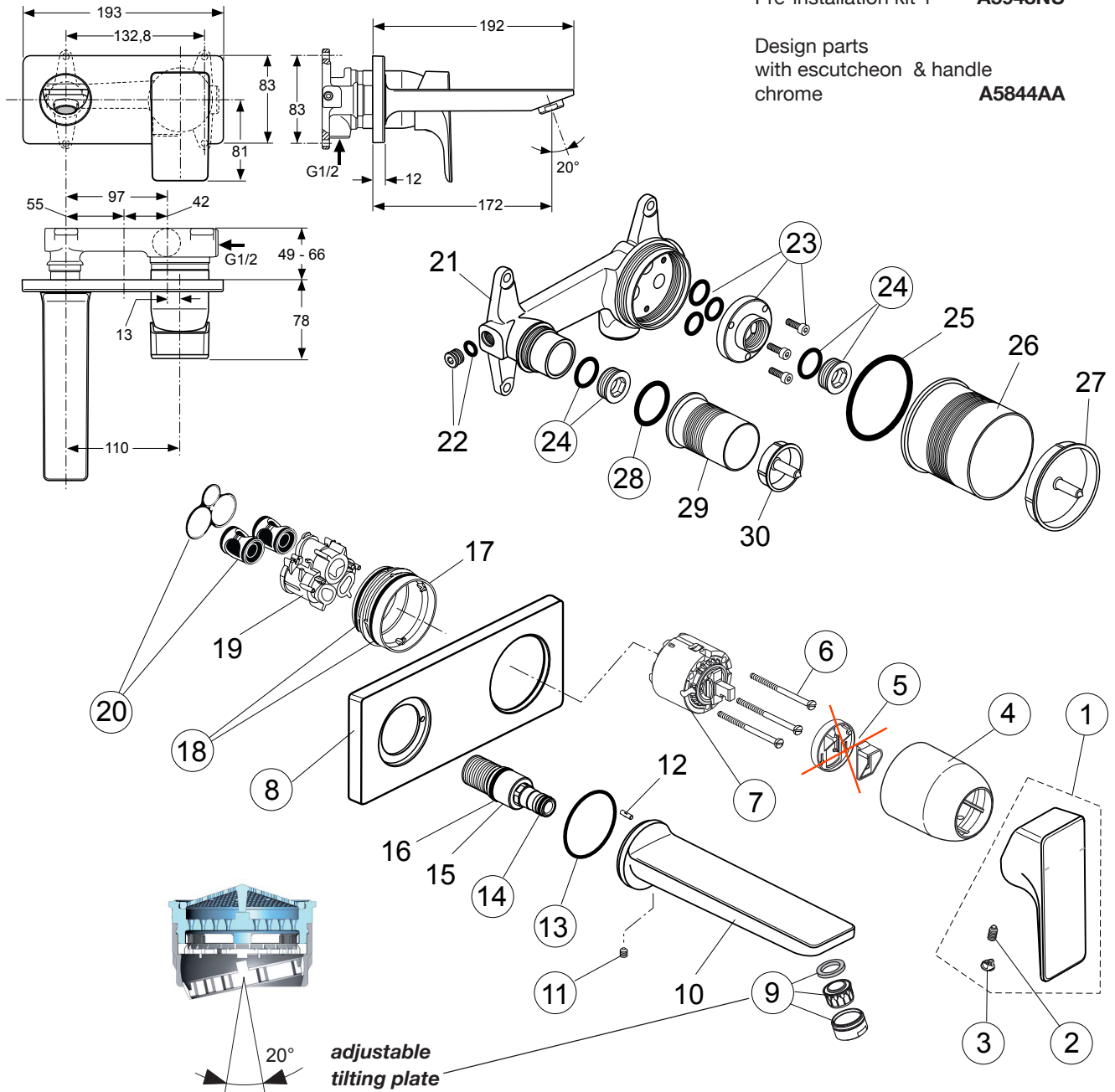


Produced from: **May 2012**

Pre-installation kit 1 **A5948NU**

Design parts
with escutcheon & handle
chrome **A5844AA**



Replace XX with the appropriate finish code
chrome = AA,

Example spare part order:
F 960 873 AA in chrome

Pos.	Description	Part-Number	Qty.	Pos.	Description	Part-Number	Qty.
1	Lever compl. with Logo ISI	F 960 873 XX	1 pcs	16	O - ring Ø 19 x 2,5		
2	Thread pin M5x6 DIN914	A 860 603 NU	1 pcs	17	Plastic ring		
3	Handle cap	B 960 473 XX	1 pcs	18	O - ring Ø 47,3 x 1,78	A 963 526 NU	2 pcs
4	Cover cap	A 960 863 XX	1 pcs	19	Plastic insert		
5	ECO-kit			20	Low noise insert complete	A 963 524 NU	1 Set
6	Cylindrical screw M4x69	A 963 783 NU	3 pcs	21	Body (built-in)		
7	Cartridge with pos. 5	A 960 500 NU	1 pcs	22	Superior block M10x1		
8	Escutcheon	F 960 880 XX	1 pcs	23	Flushing device complete	F 960 881 NU	1 Set
9	Aerator M24x1 - 5ltr/min	F 960 876 XX	1 pcs	24	Plug with o-ring	A 963 548 NU	1 pcs
10	Spout 172mm projection			25	O - ring Ø 54 x 2,5		
11	Thread pin M5x5	A 962 625 NU	1 pcs	26	Plaster guard for cartridge		
12	Groove pin 3x10 DIN1474			27	Cover for pos. 26		
13	O - ring Ø 41 x 1,78	A 961 863 NU	1 pcs	28	O - ring Ø 26 x 2,5	A 860 845 NU	1 pcs
14	O - ring Ø 10 x 2	A 963 495 NU	2 pcs	29	Plaster guard for spout		
15	Connector nipple			30	Cover for pos. 29		