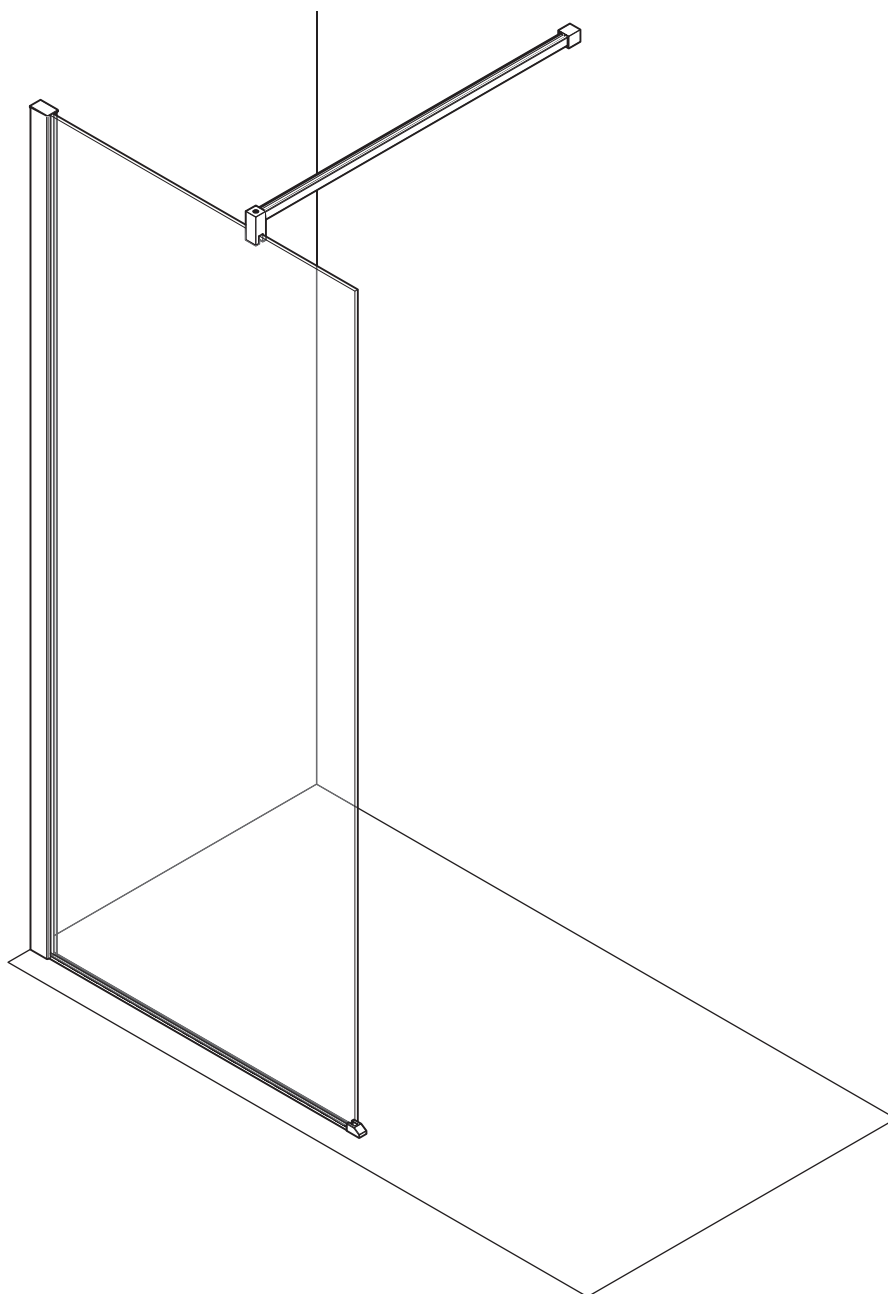
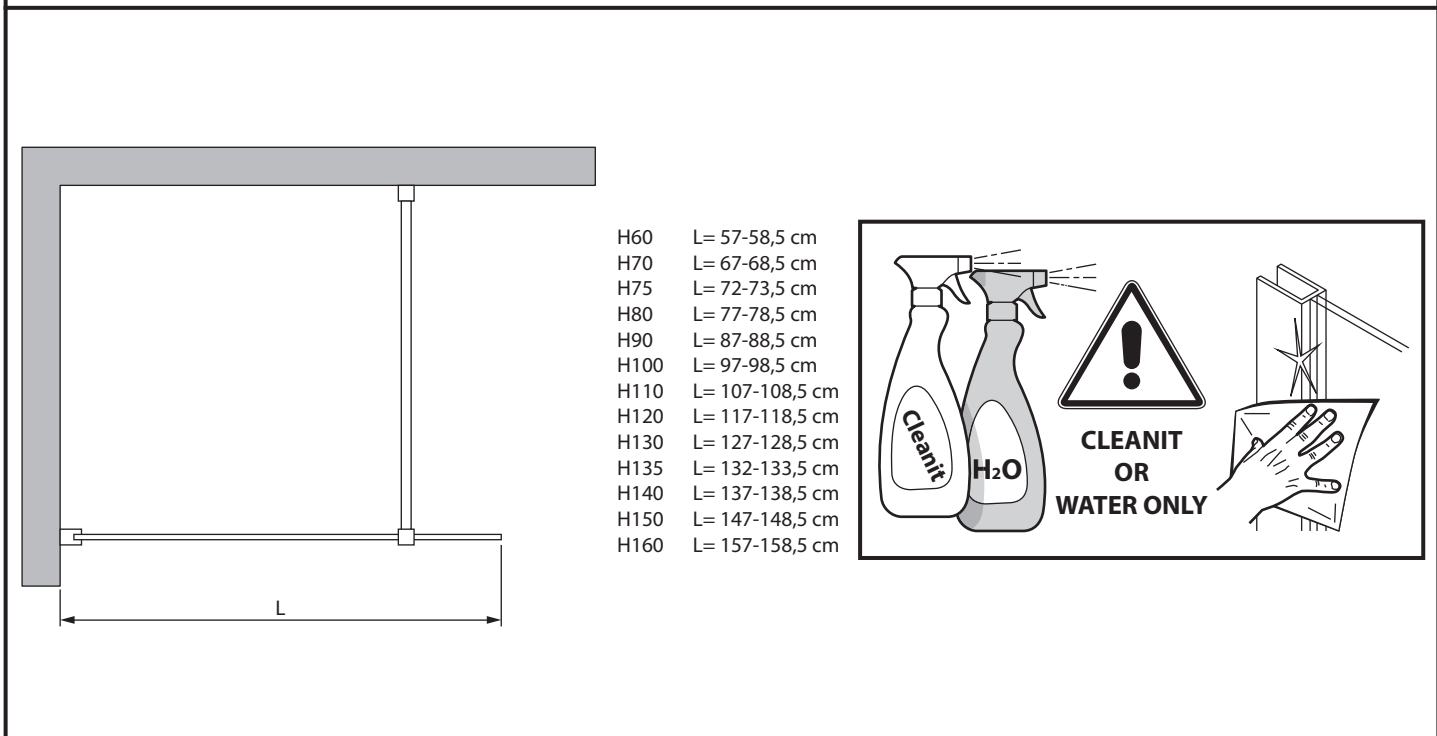
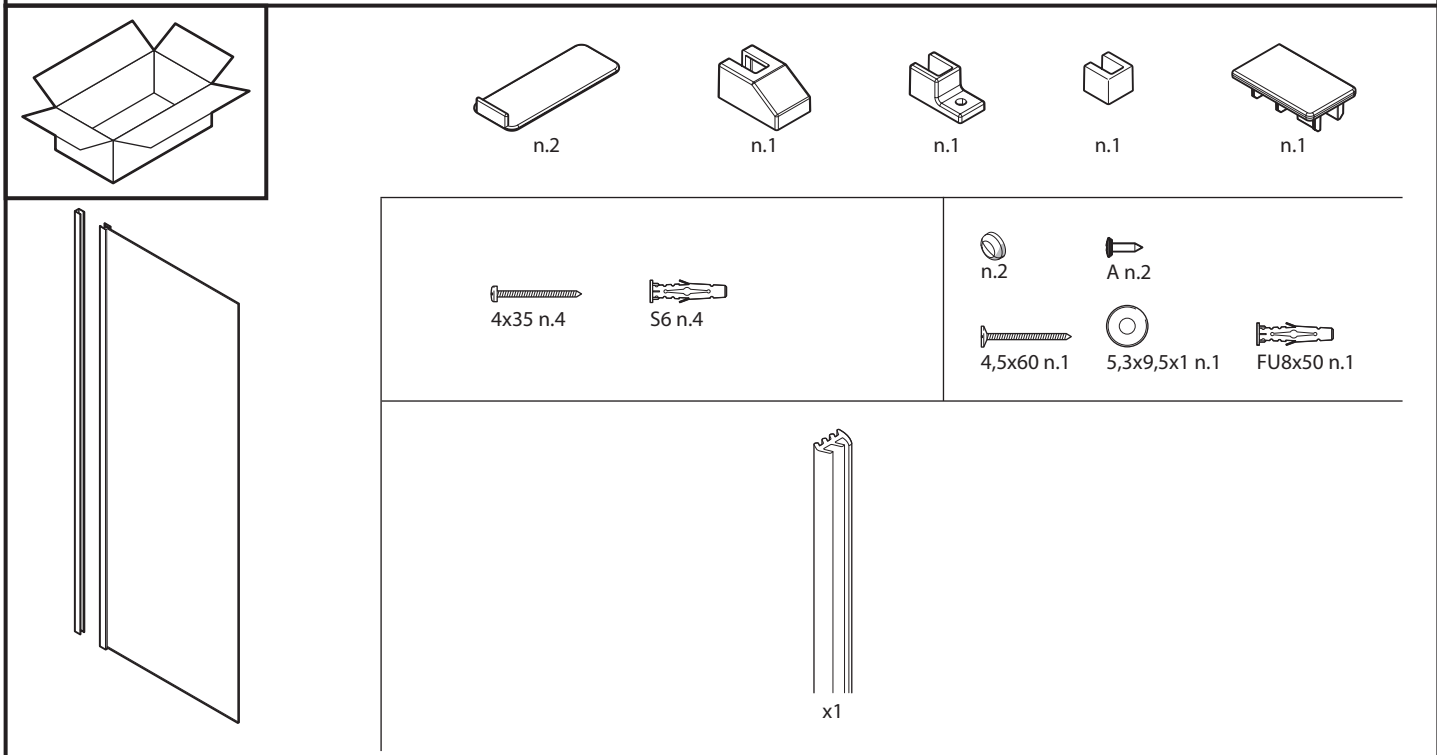
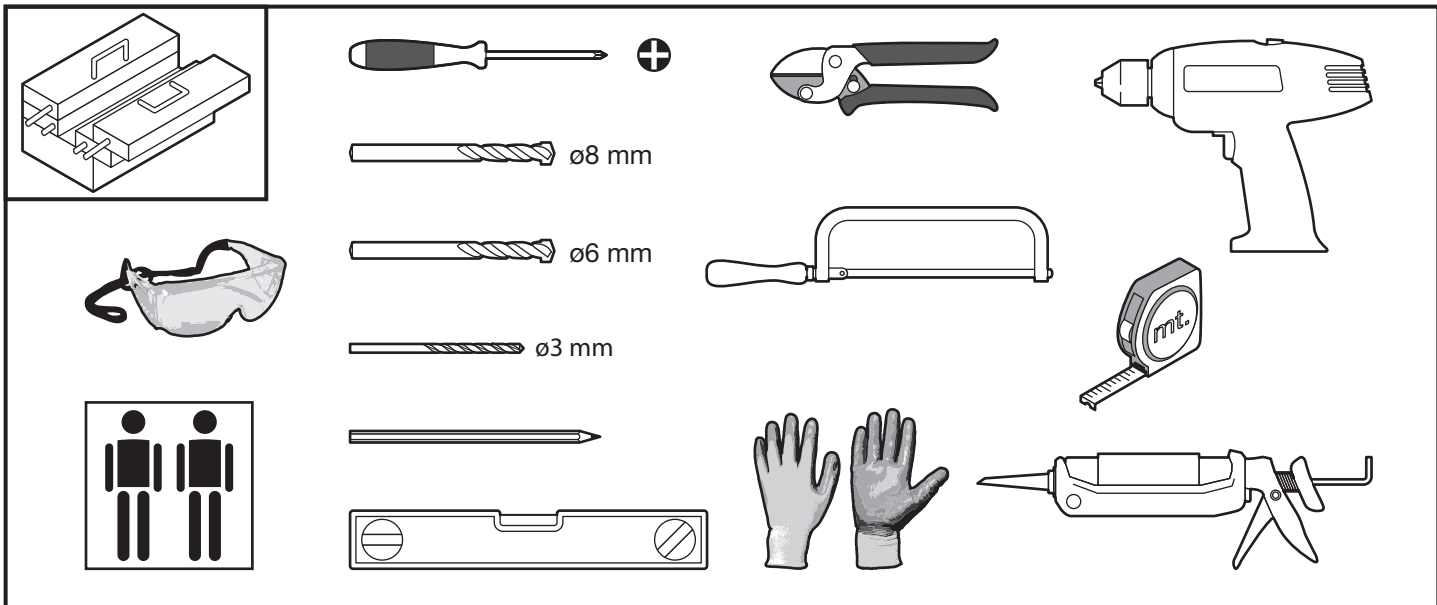
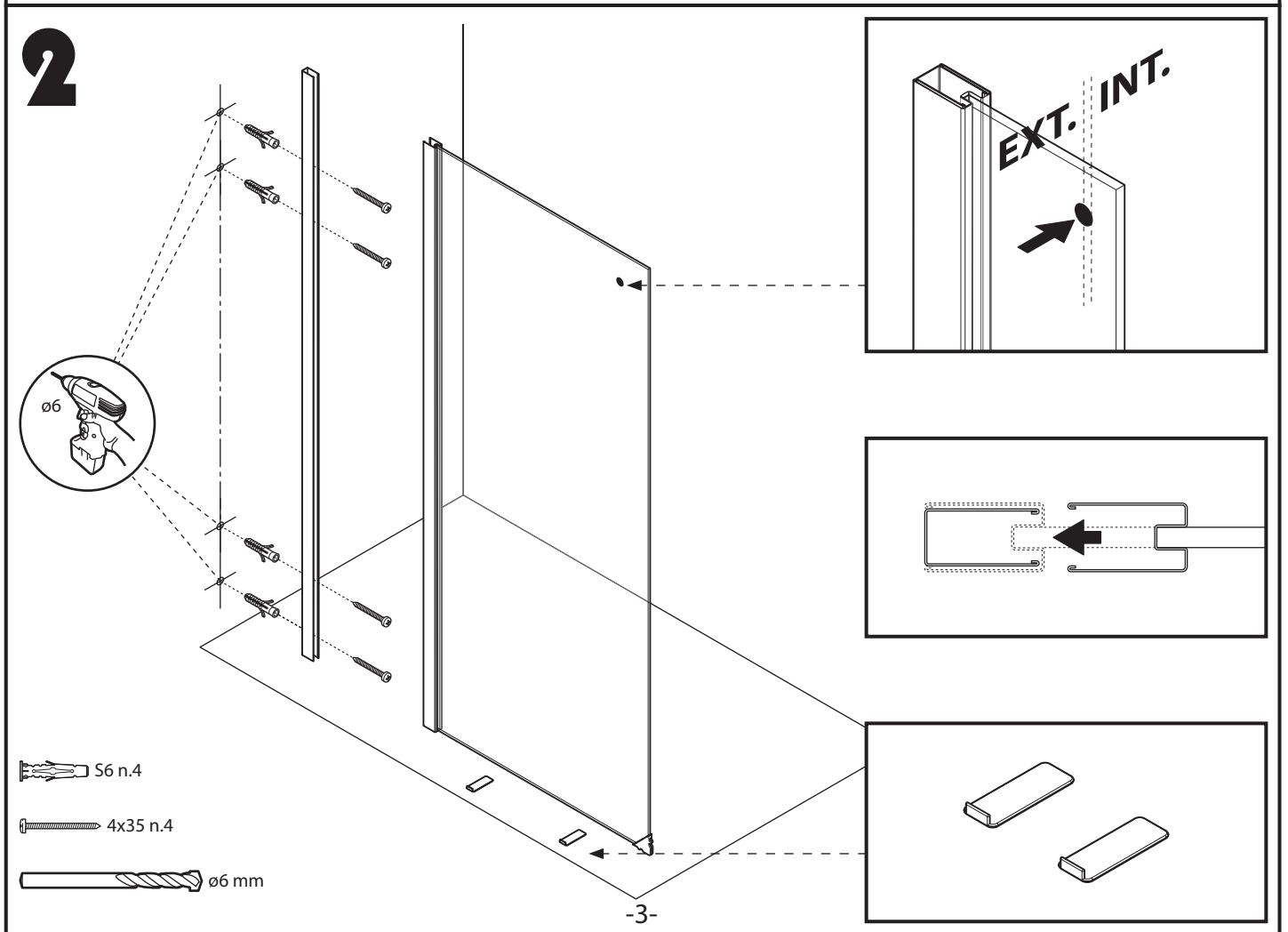
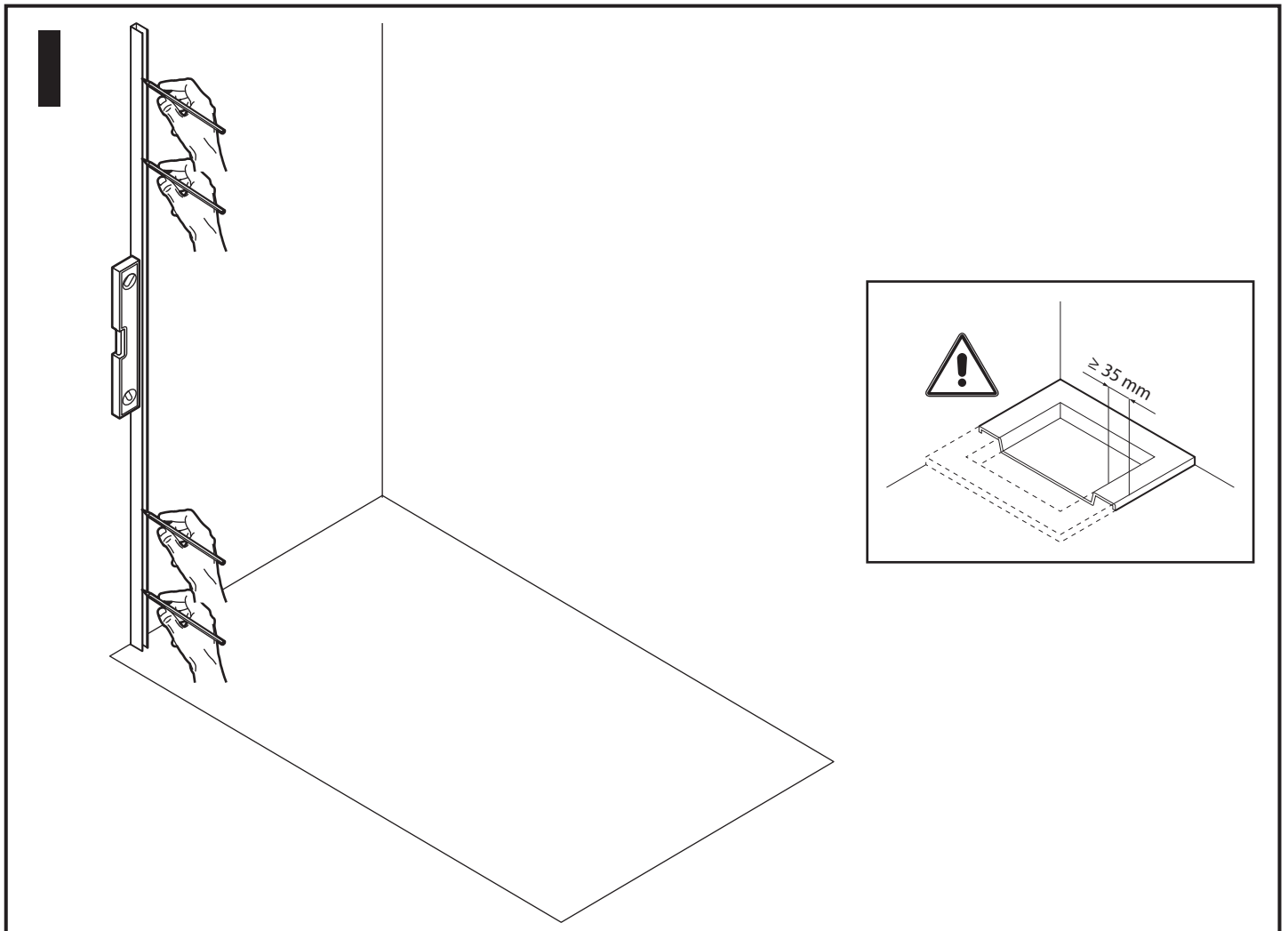


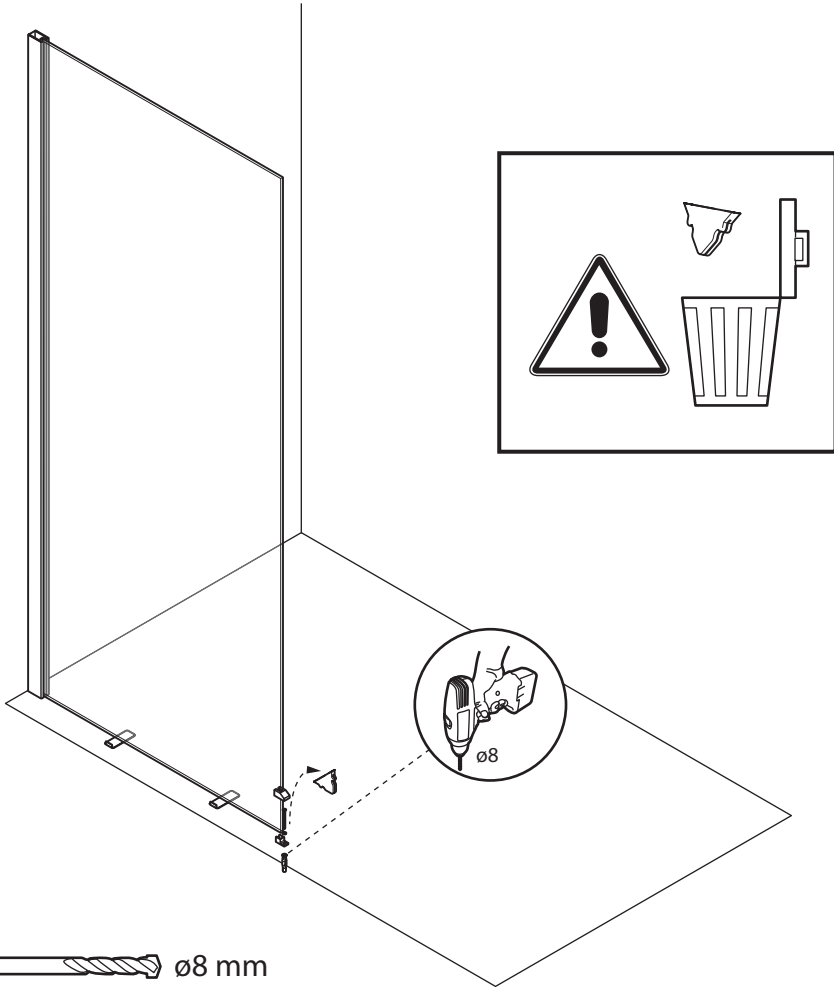
H



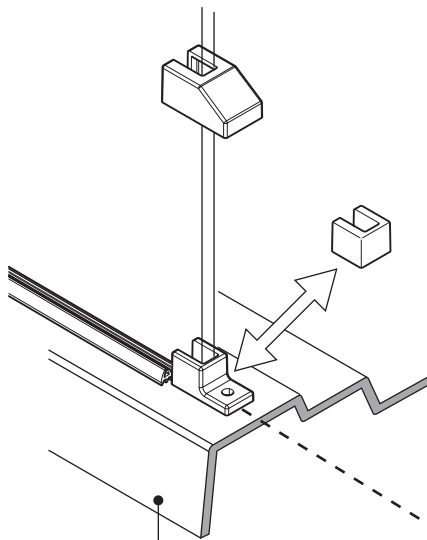
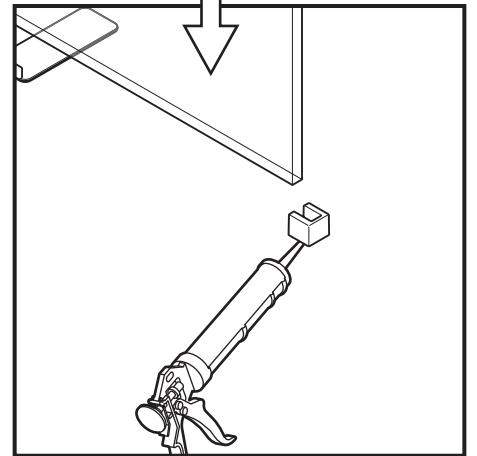
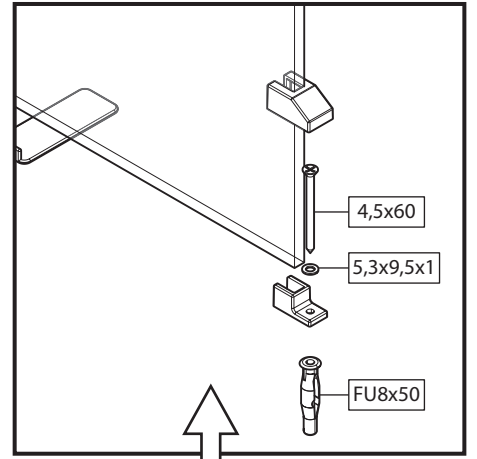





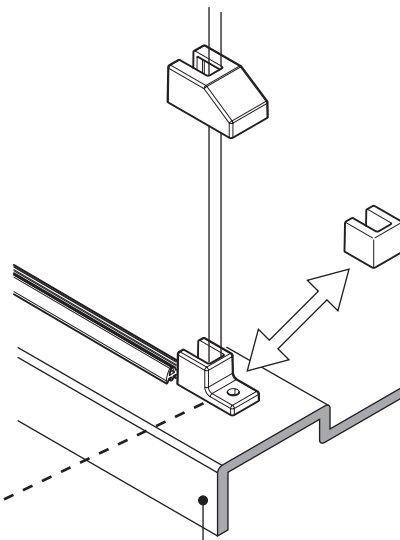
# 3



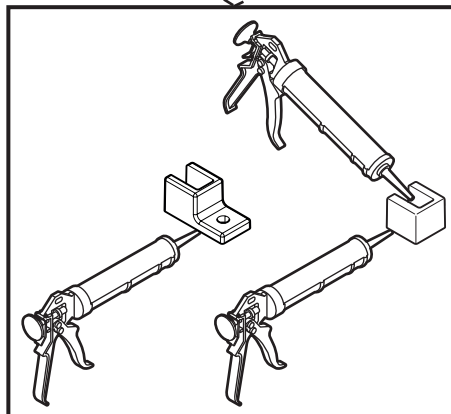
  $\varnothing 8$  mm



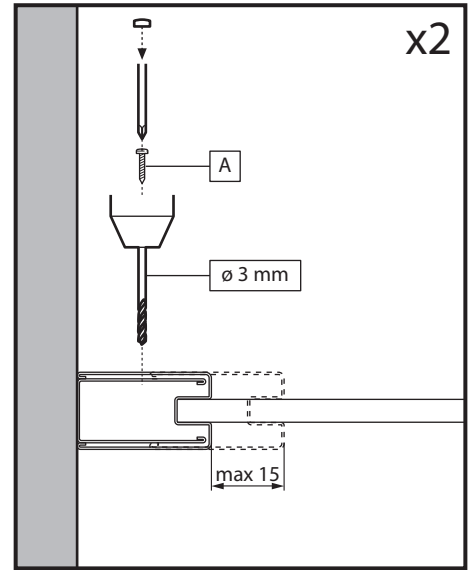
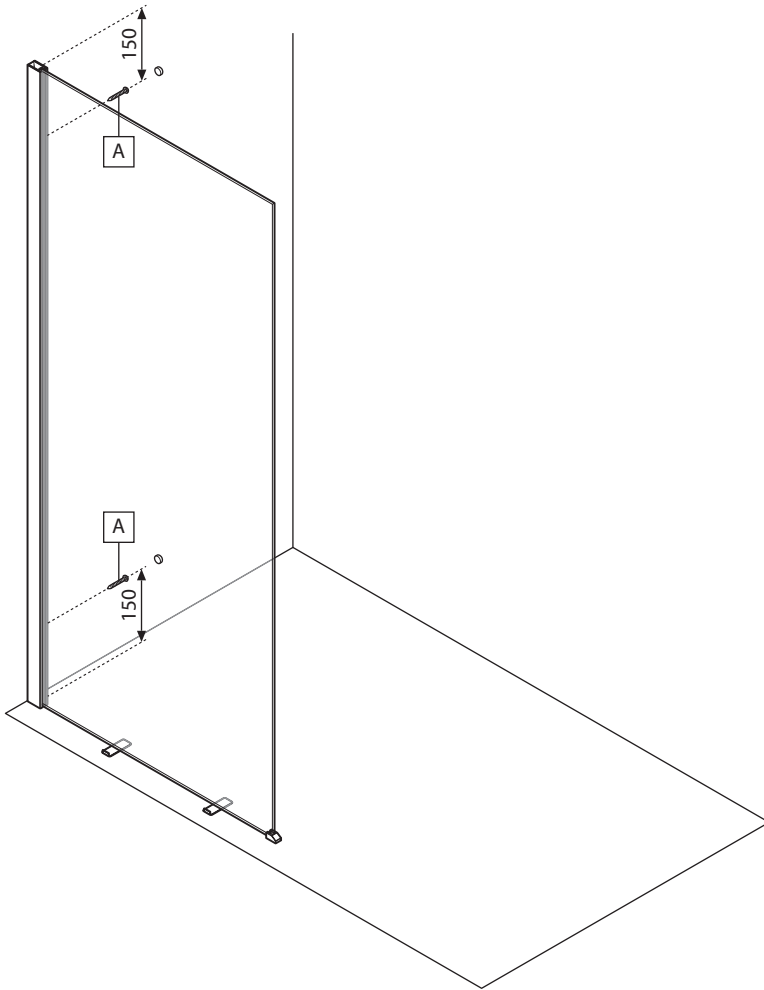
Acrylic



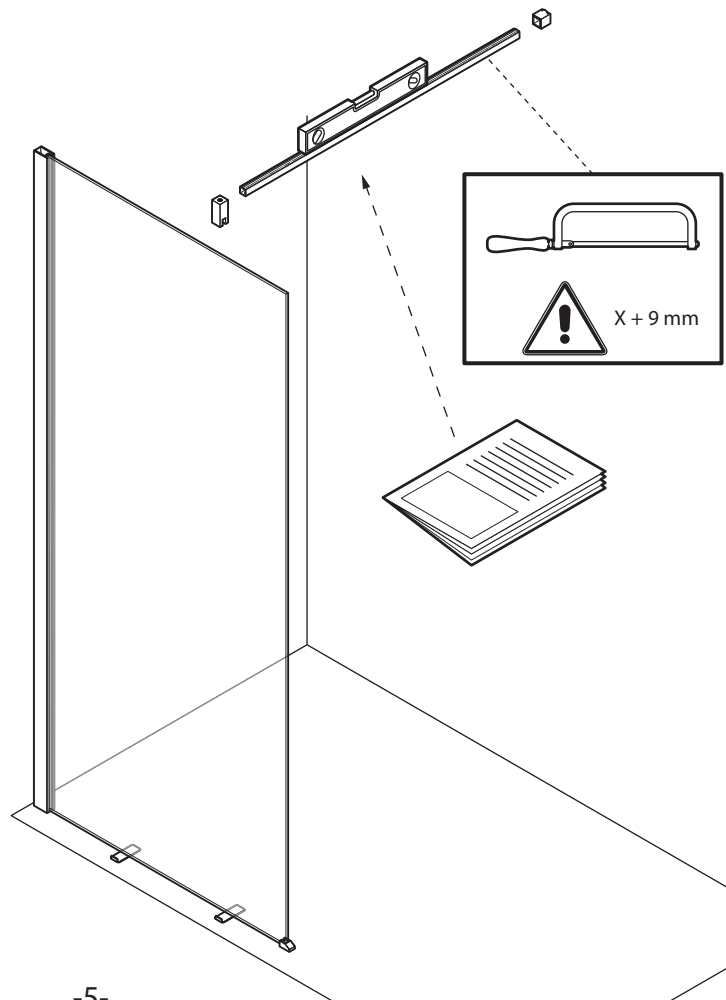
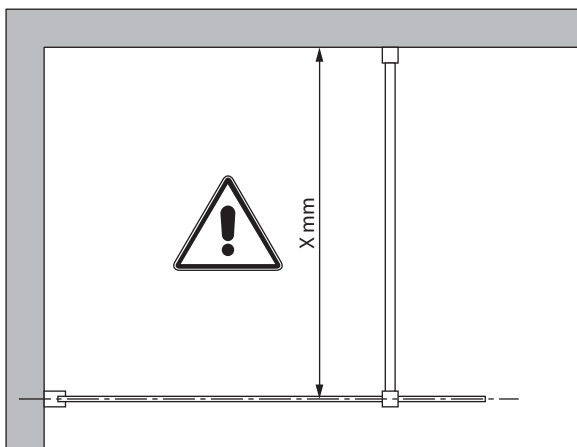
Ceramic



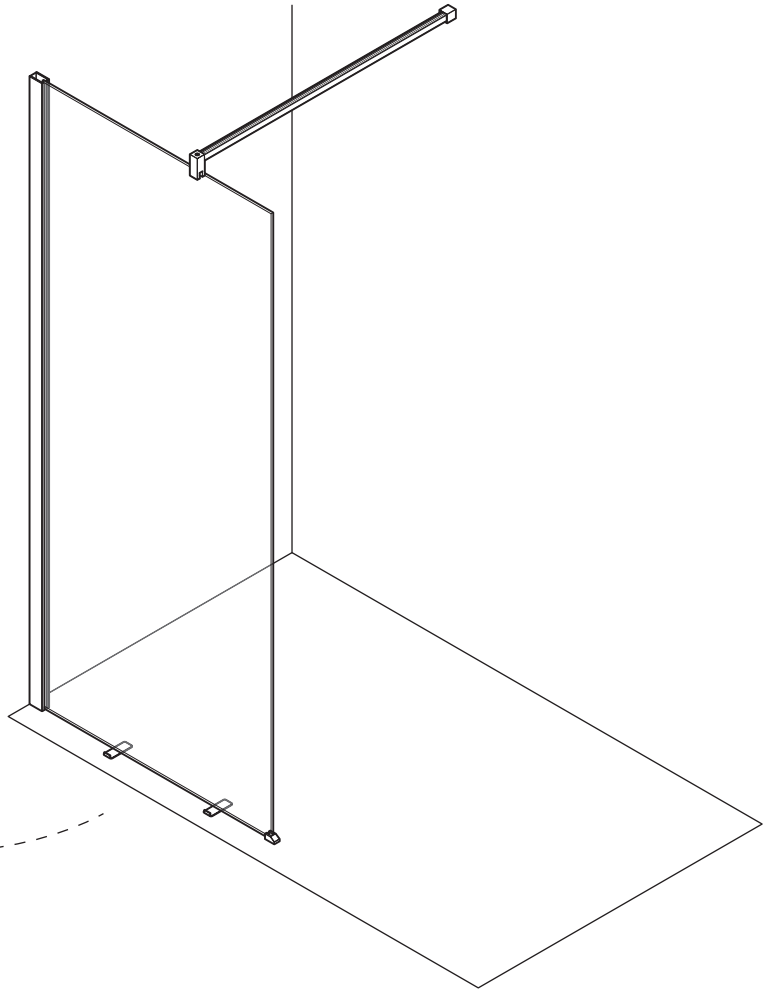
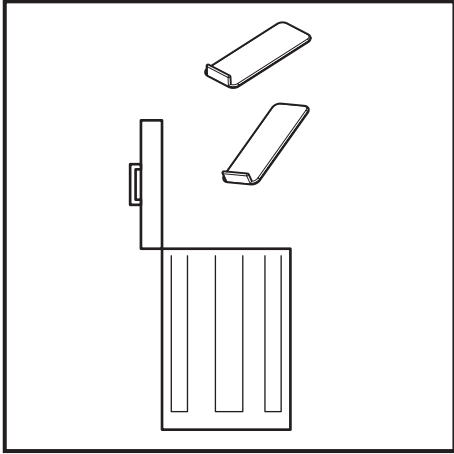
# 4



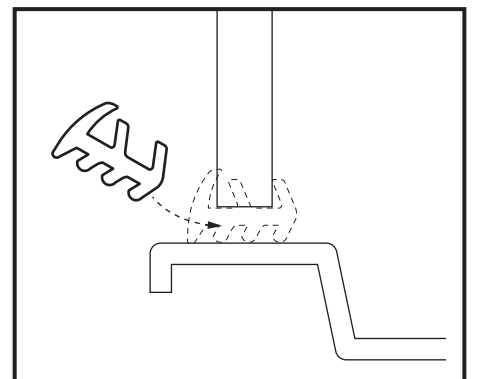
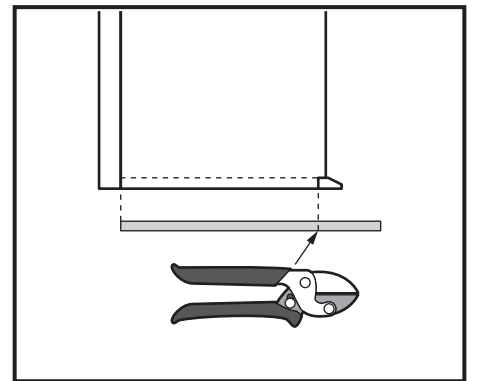
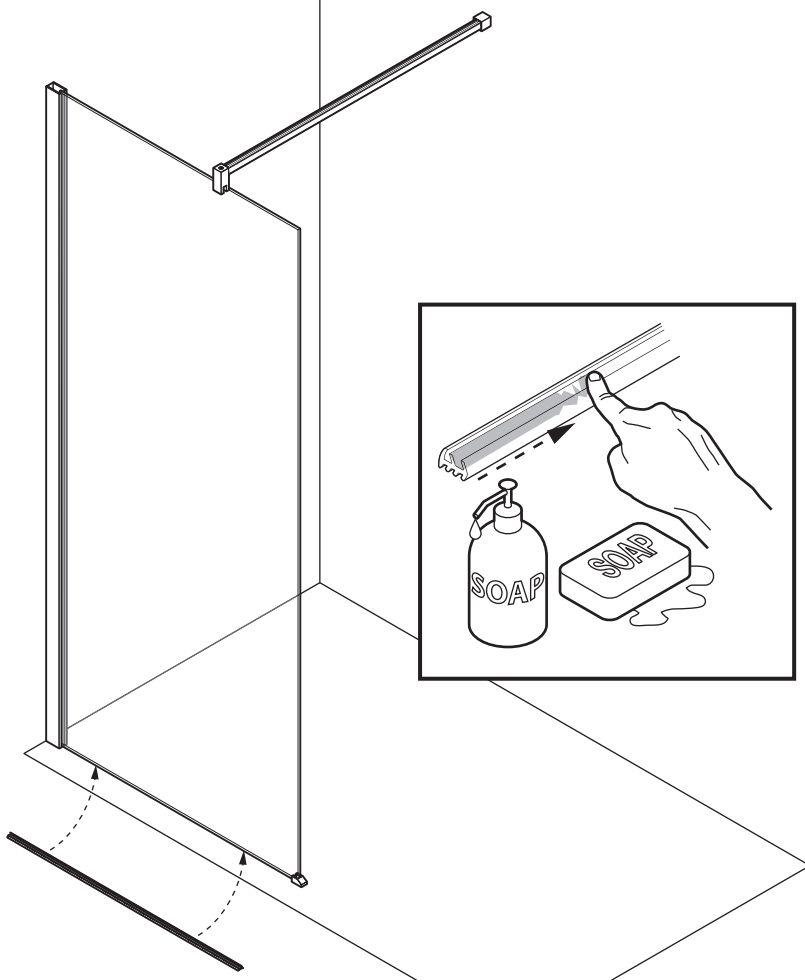
# 5



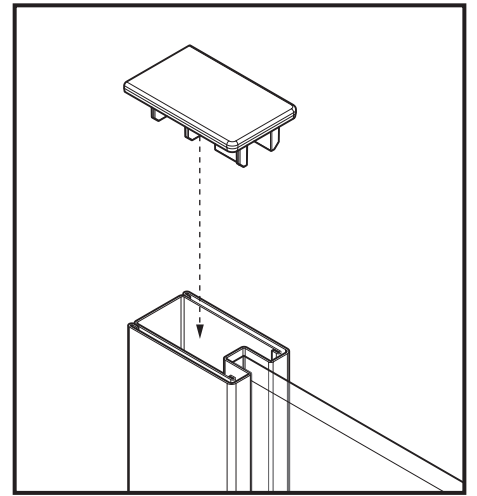
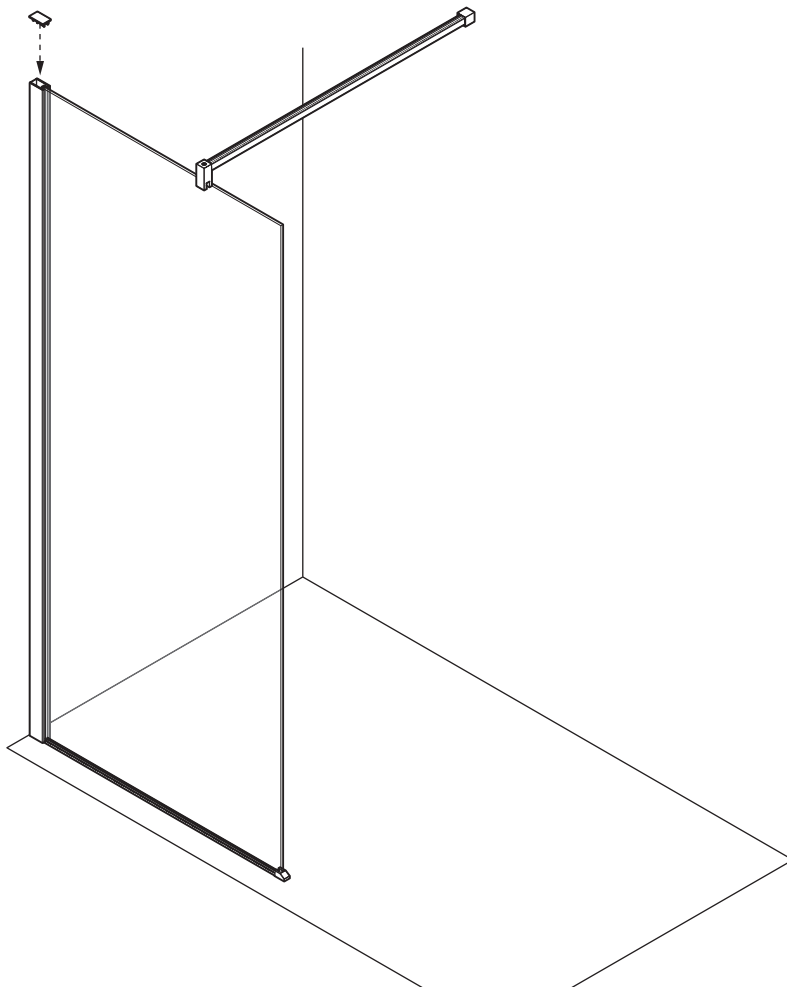
**6**



**7**



8



9

