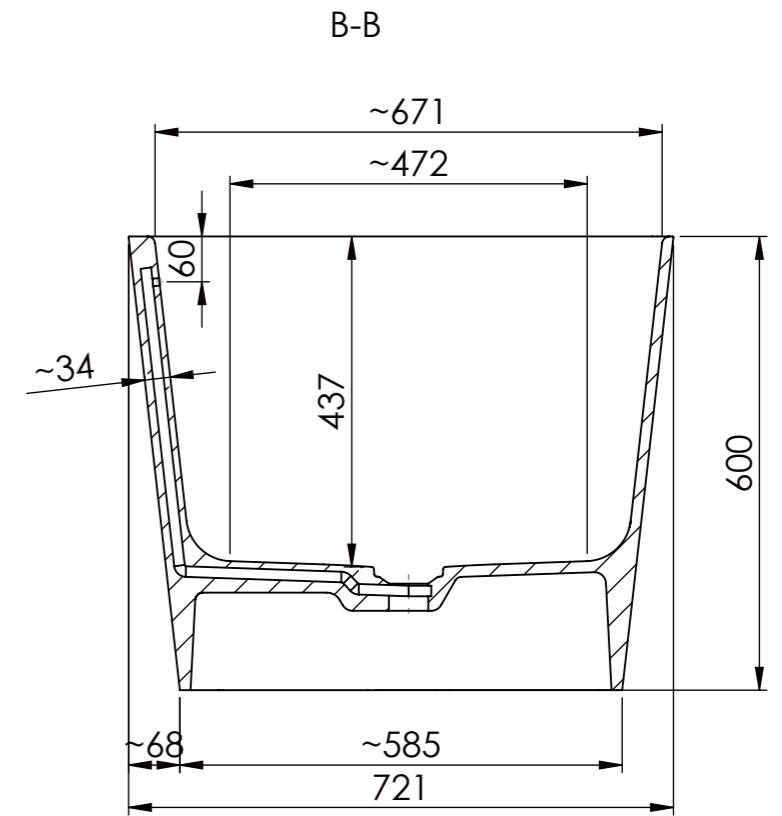
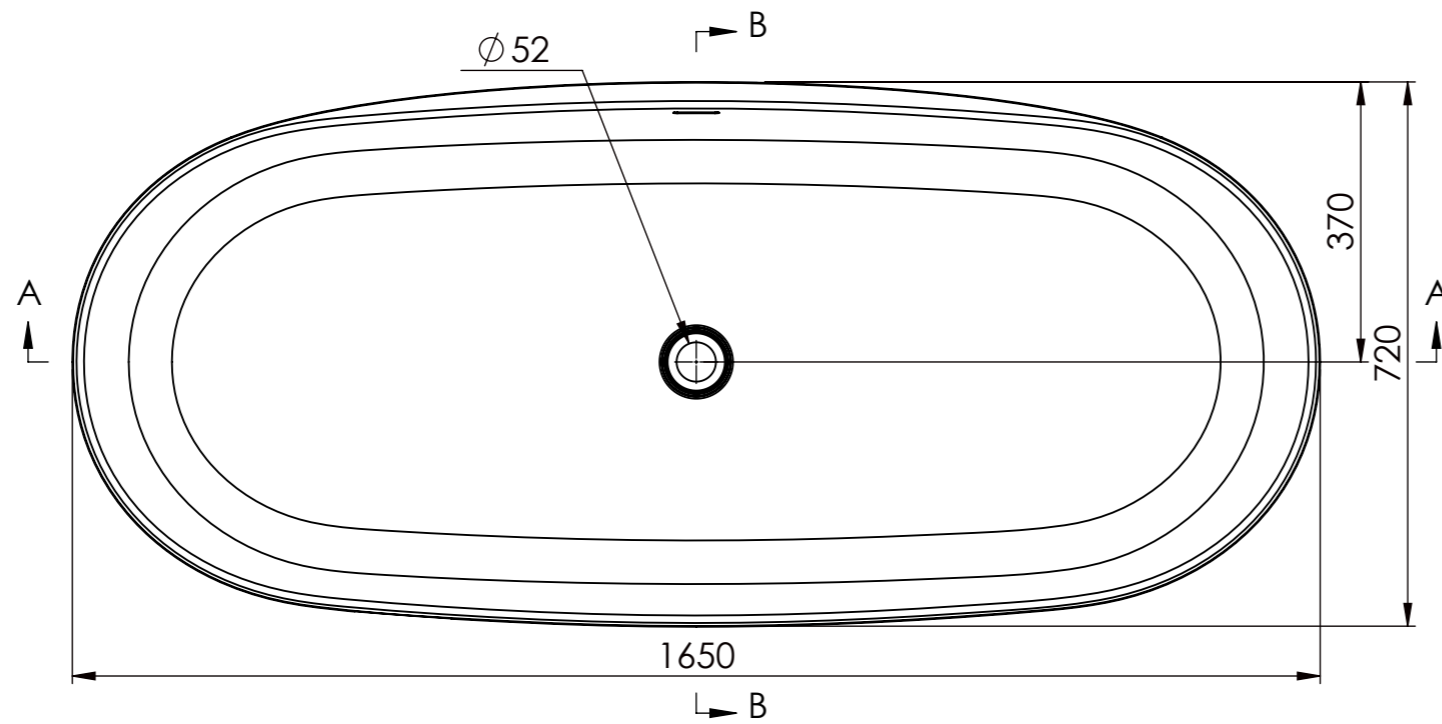
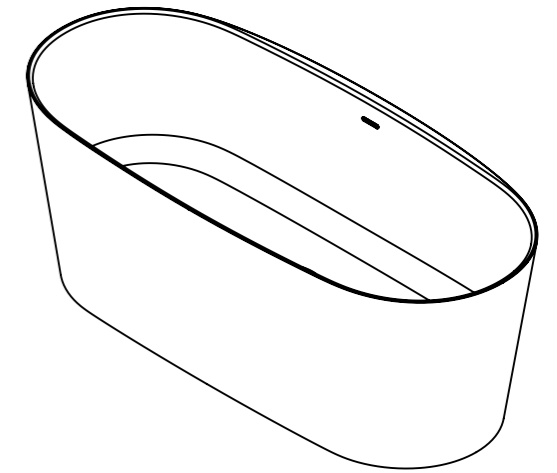
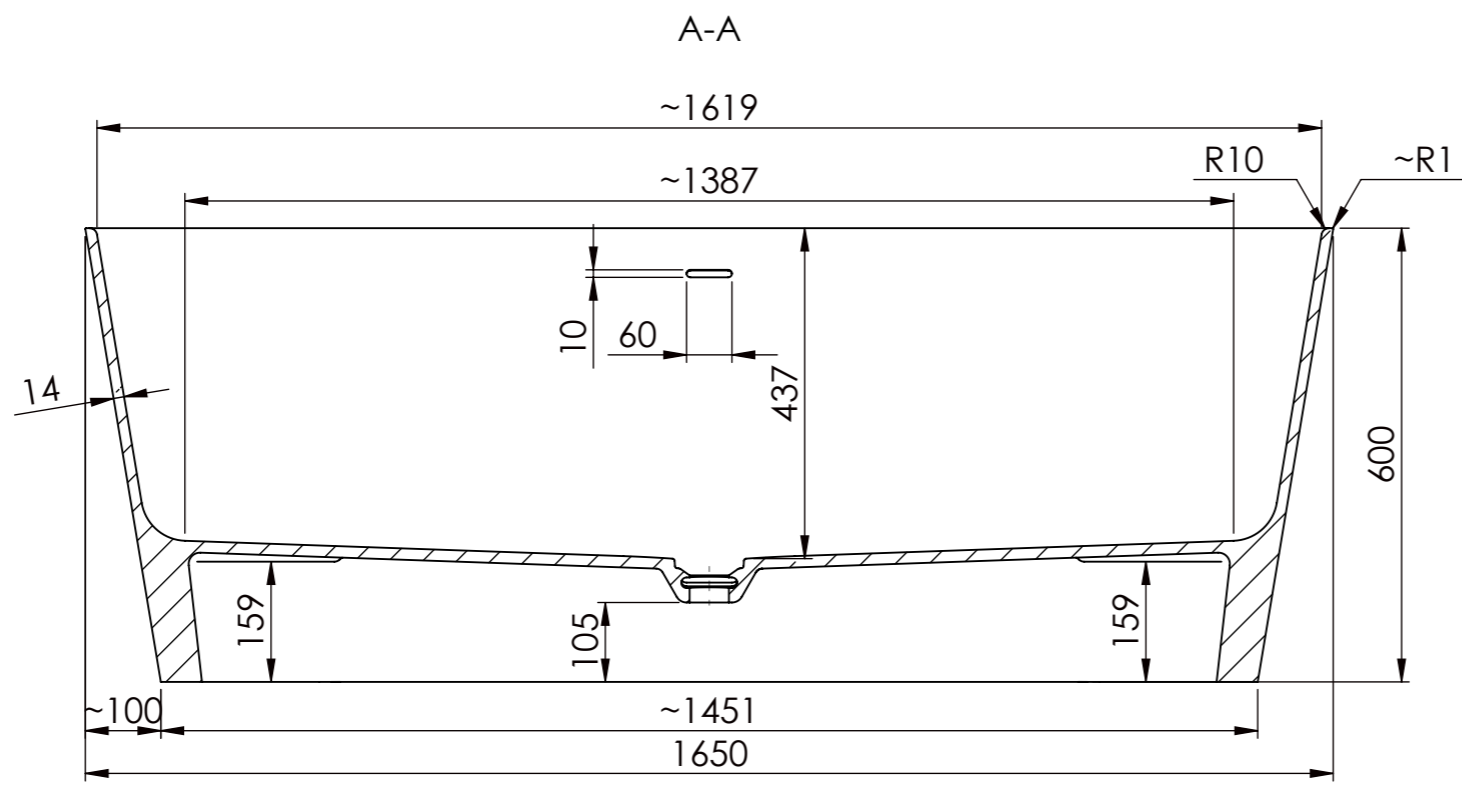
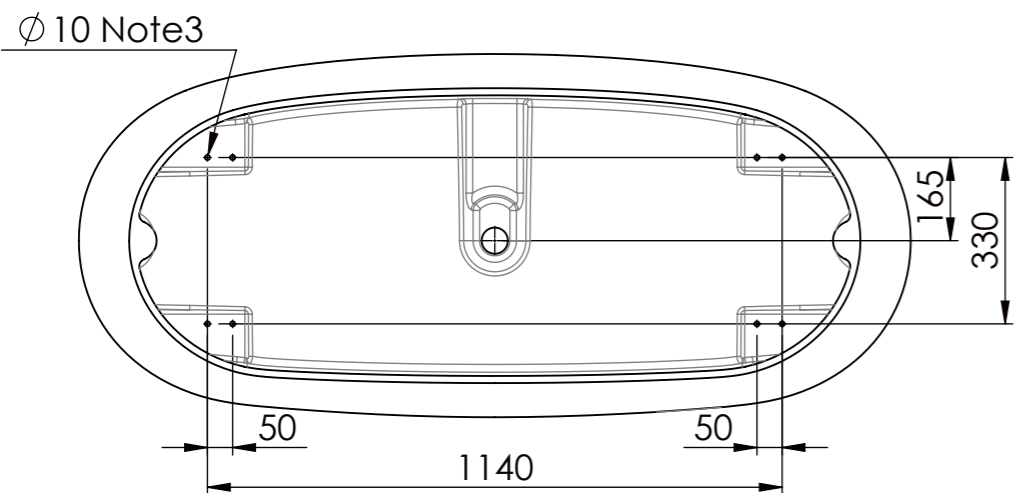


| Rev | Design Change Note  | Author | Date       |
|-----|---------------------|--------|------------|
| A   | Internal validation | ZP     | 2016-08-02 |



Bottom view/



This document must not be copied without our written permission, and the contents thereof must not be imparted to a third party nor be used for any unauthorized purpose. Contravention will be prosecuted.