

SET LAUFEN PRO

Shower tray MARBOND rectangular

21095.1 / 21095.7
21295.4 / 21295.5
21095.2 / 21095.8
21195.3

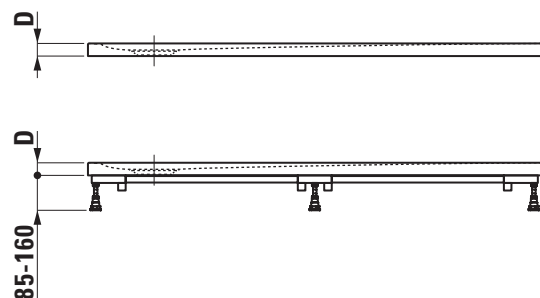
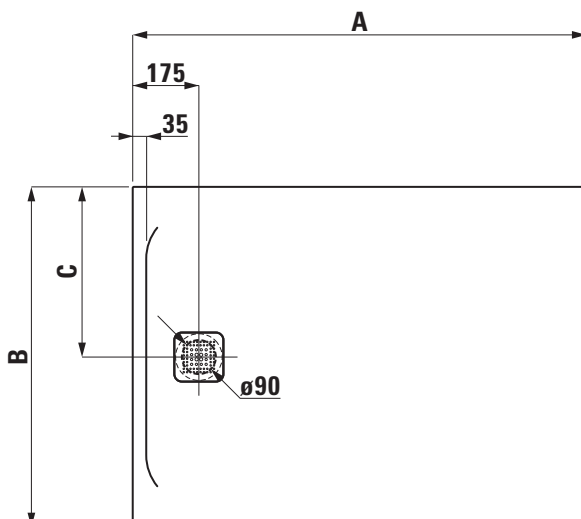


TECHNICAL DATA

Order no.	21095.1, 21095.7 / 1000 mm 21295.4, 21295.5 / 1100 mm 21095.2, 21095.8, 21195.3 / 1200 mm
Certified to	EN 14257, EN 251
Dimensions	see table below
Depth	see table below
Specification	Rectangular shower tray made of Marbond (Gel Coat surface matt, with structure) with Antislip, Class C (DIN 51097) Removable siphon cover, stainless steel For floor-even installation or on floor installation
Weight	21095.1 – 28,0 kg / 21095.7 – 30,0 kg 21295.4 – 30,0 kg / 21295.5 – 32,0 kg 21095.2 – 35,0 kg / 21095.8 – 37,0 kg 21195.3 – 39,0 kg
Mounting acc. excl.	Mounting box type DN 50, height 100 mm incl. waste, Ø 90 mm without cover (pre-assembled) left, order no. 29004.3, right, order no. 29004.4 Mounting box type DN 40, height 75 mm incl. waste, Ø 90 mm without cover (pre-assembled) left, order no. 29003.3, right, order no. 29003.4 Waste DN 50, Ø 90 mm without cover, order no. 29512.7 Mounting box type DN 50, height 100 mm, left, order no. 29004.1, right, order no. 29004.2 Mounting box type DN 40, height 75 mm, left, order no. 29003.1, right, order no. 29003.2

Mounting acc. excl.	Installation frame, adjustable height between 85-160 mm, order no. 29844.1 Antinoise set for the frame installation, order no. 29898.8 3-D sealing tape: Sealing set 3,0 m, for sealed sides ≤ 3 m, includes 1 sealing tape (width 120 mm, length 3 m), 3-D inside corner for sealing (1 piece) and 2x 3 m antinoise tape (width 30 mm), order no. 29564.2 Additional sealing set 2,0 m, for sealed sides ≥ 3 m, order no. 29564.7 3-D sealing corners: Inside corner, 1 piece, order no. 29564.3 Outside corner for floor-even installation, set 3 parts, order no. 29564.4 Dispersion sealing composition, tube 500 ml, order no. 29564.5 Noise control band, order no. 29555.1
Otherwise	For customised Marbond shower trays order no. 21295.0 please use the order form.
Colours	000 – White matt structured, 077 – Light grey matt structured, 078 – Anthracite matt structured

TECHNICAL DRAWINGS / S 1 : 20



Order no.	A / mm	B / mm	C / mm	D / mm
21095.1	1000	800	400	33
21095.7	1000	900	450	33
21295.4	1100	800	400	33
21295.5	1100	900	450	33
21095.2	1200	800	400	33
21095.8	1200	900	450	33
21195.3	1200	1000	500	33