

Architect concealed washbasin mixer 200- external parts



“geborsteld rvs” IS



**RWGA13C6IS02**

“staal 02” 01



**RWGA13C60102**

“koper 02” 03



**RWGA13C60302**

“mat goud 02” 04



**RWGA13C60402**



Certified to  
NSF/ANSI 61

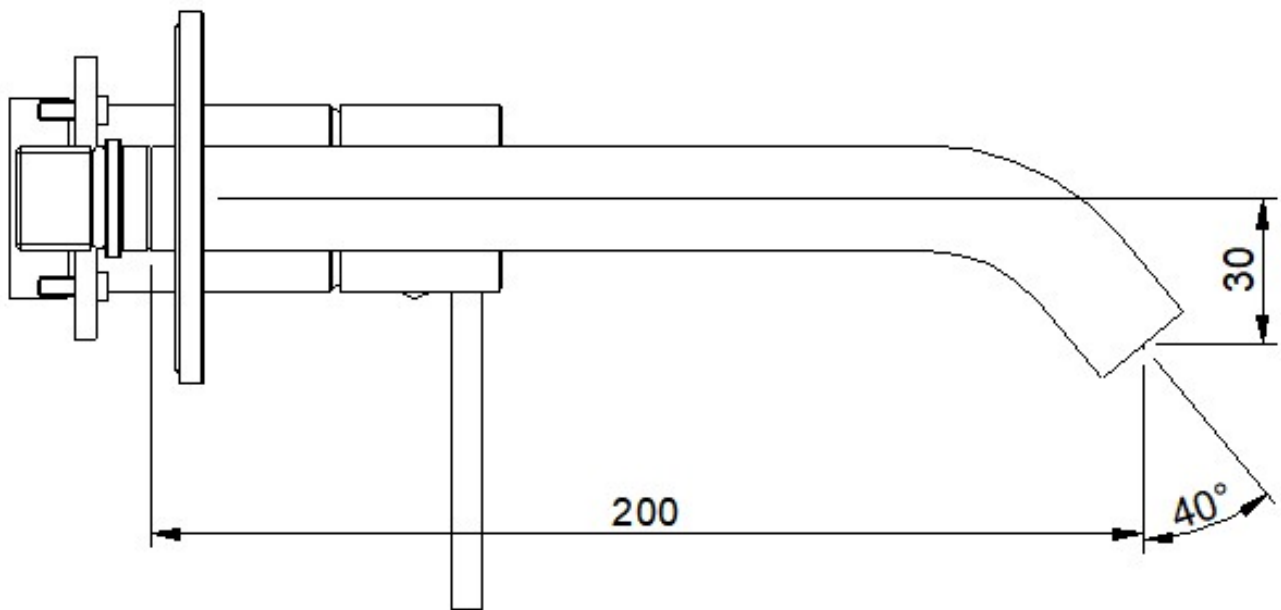
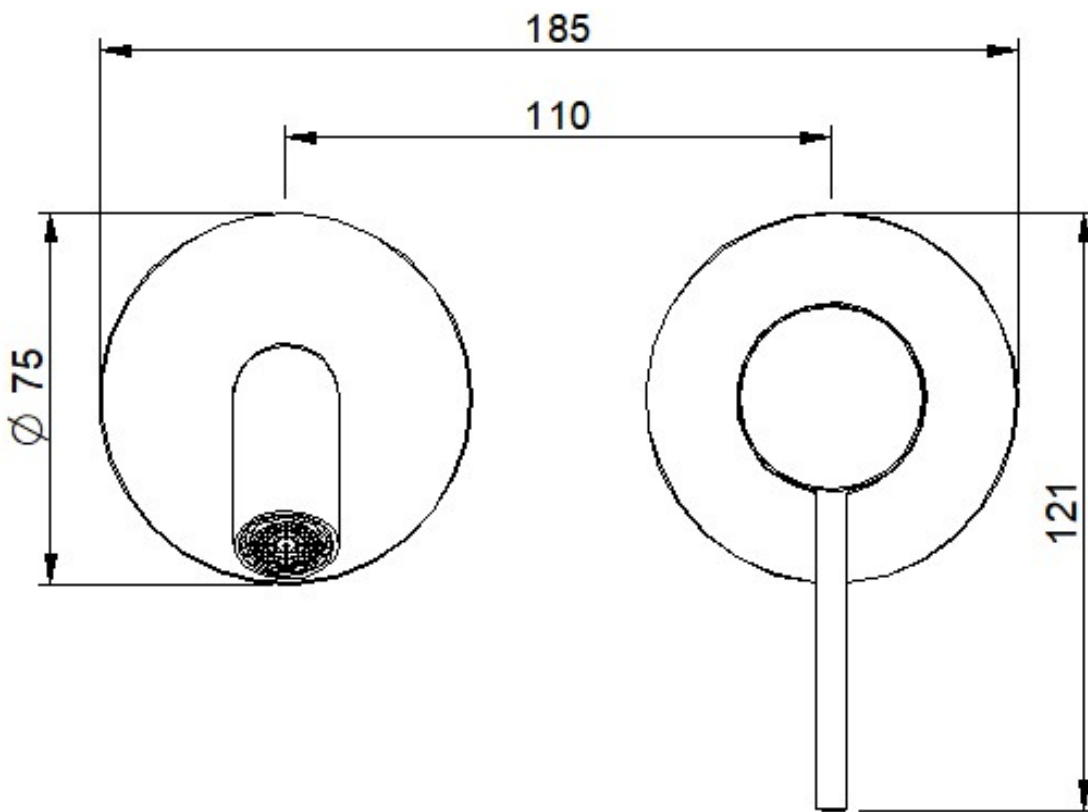


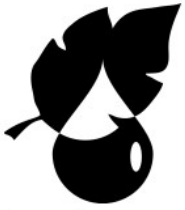
SISTEMA QUALITÀ CERTIFICATO



UNI EN ISO 9001 : 2015







# LINEAR ECO FLOW RATE TEST MIXED

