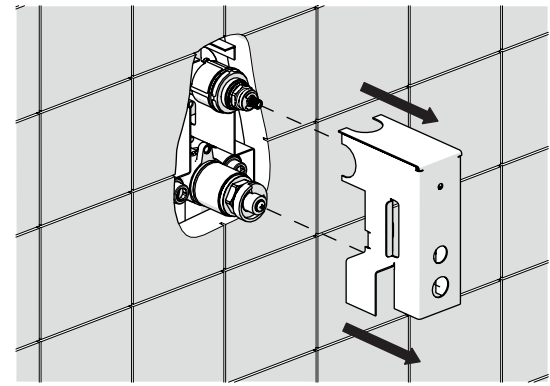
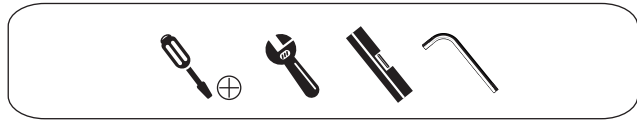


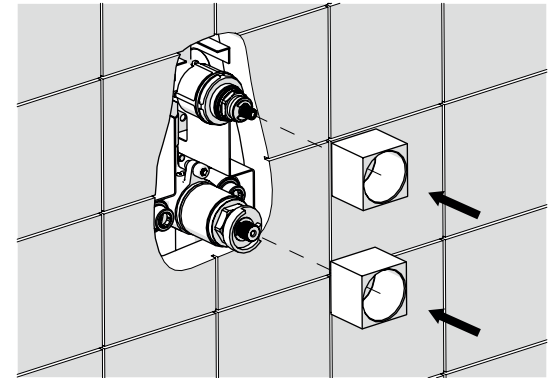
1

+

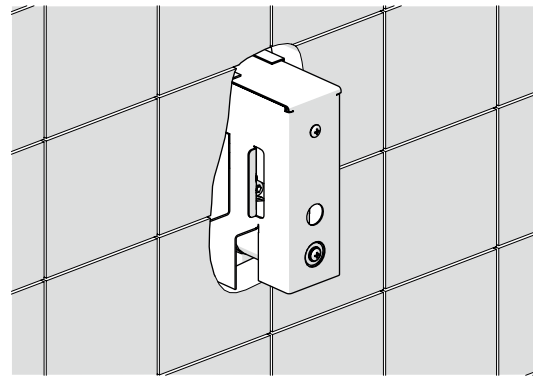
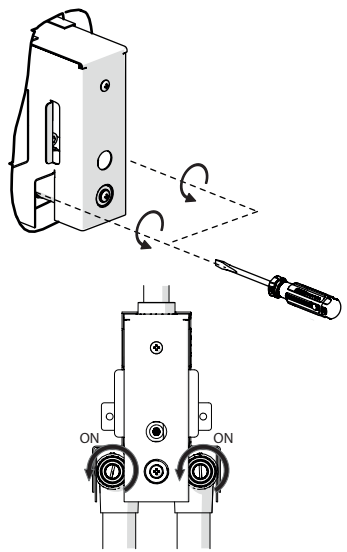
Not included / Non incluso / Non Inclus / Nie zawarty / No incluido / Nao incluido



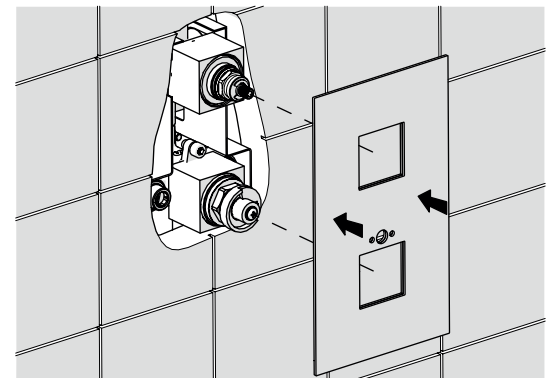
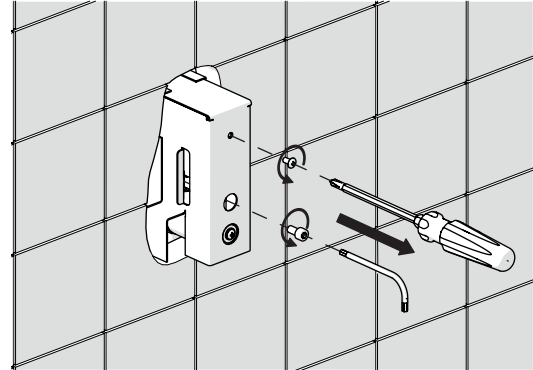
3



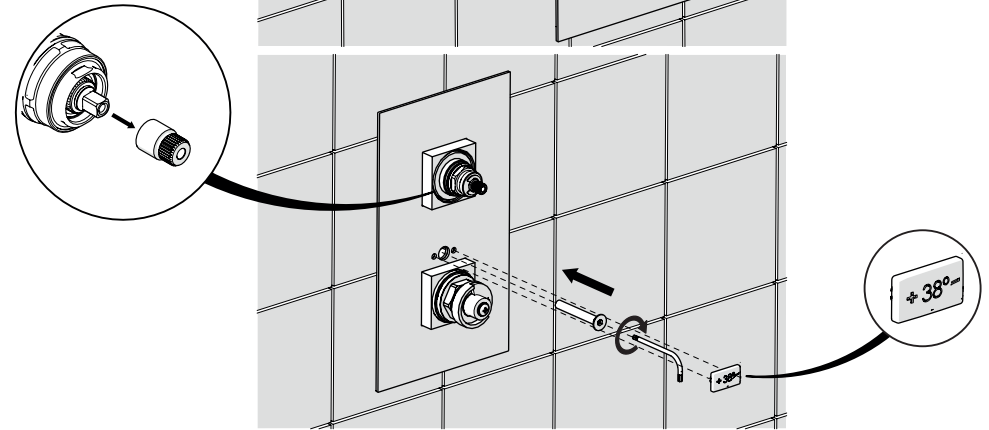
REF. MANUAL  
WE00102



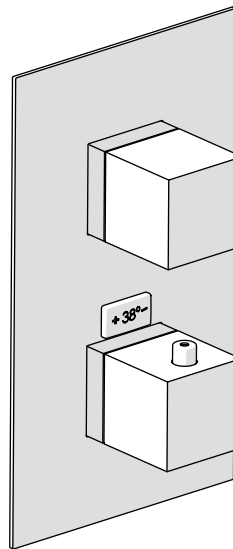
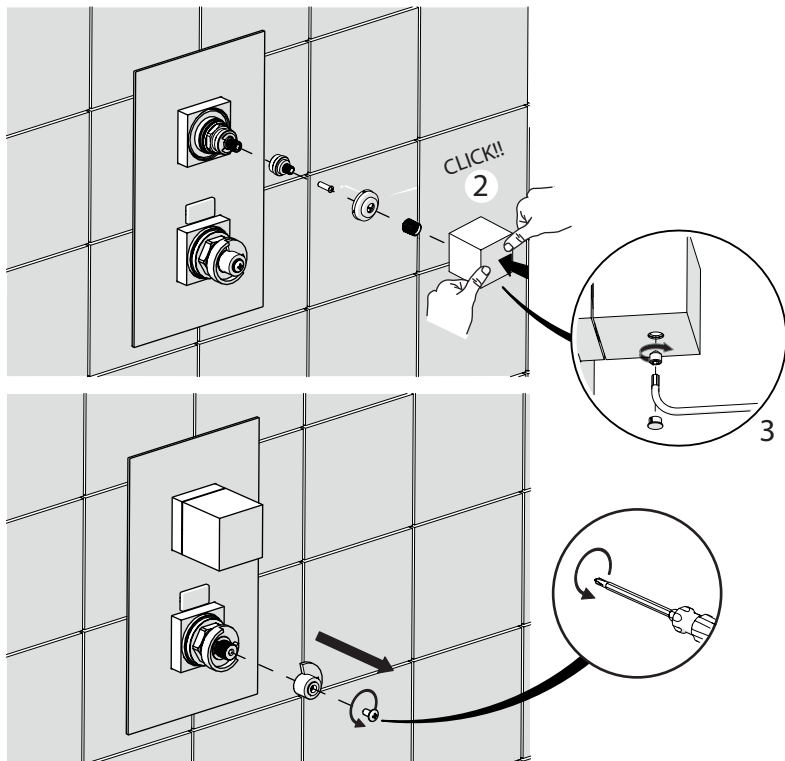
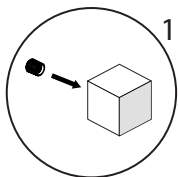
2



4



5



MI102102

CB00102

SF00102

RY00102

TW00102



ISTR00102/Q#--STD

REV2.03/2014

6

