

# SET LAUFEN PRO

## Shower tray MARBOND rectangular

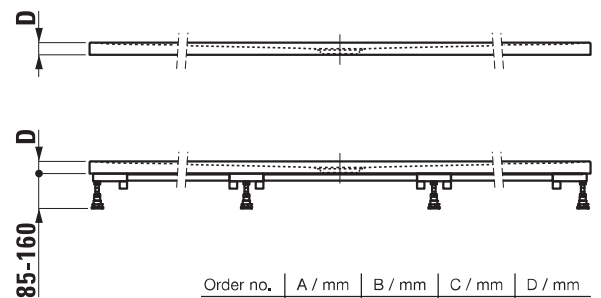
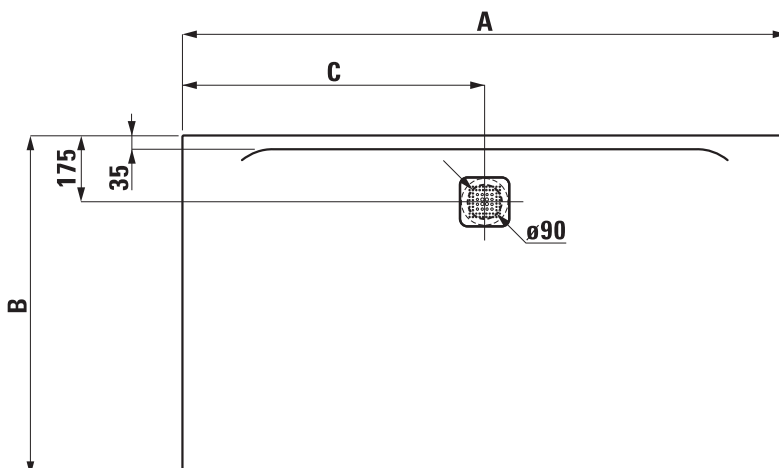
21595.4 / 21095.3  
21095.9 / 21195.4  
21395.6 / 21395.7  
21095.4 / 21195.0  
21195.5



### TECHNICAL DATA

|                     |   |                     |   |
|---------------------|---|---------------------|---|
| Order no.           | 21595.4, 21095.3, 21095.9, 21195.4 / 1400 mm<br>21395.6, 21395.7, 21095.4, 21195.0,<br>21195.5 / 1600 mm  | Mounting acc. excl. | Installation frame, adjustable height between 85-160 mm, order no. 29844.2<br>Antinoise set for the frame installation to fulfil DIN 4109 and SIA 181, order no. 29898.9<br>3-D sealing tape:<br>Sealing set 3,0 m, for sealed sides $\leq$ 3 m, includes 1 sealing tape (width 120 mm, length 3 m), 3-D inside corner for sealing (1 piece) and 2x 3 m antinoise tape (width 30 mm), order no. 29564.2<br>Additional sealing set 2,0 m, for sealed sides $\geq$ 3 m, order no. 29564.7<br>3-D sealing corners:<br>Inside corner, 1 piece, order no. 29564.3<br>Outside corner for floor-even installation, set 3 parts, order no. 29564.4<br>Dispersion sealing composition, tube 500 ml, order no. 29564.5<br>Noise control band, order no. 29555.1 |
| Certified to        | EN 14257, EN 251  |                     |   |
| Dimensions          | see table below   |                     |   |
| Depth               | see table below   |                     |   |
| Specification       | Rectangular shower tray made of Marbond (Gel Coat surface matt, with structure) with Antislip, Class C (DIN 51097)<br>Removable siphon cover, stainless steel<br>For floor-even installation or on floor installation   |                     |   |
| Weight              | 21595.4 – 44,0 kg / 21095.3 – 49,0 kg<br>21095.9 – 54,0 kg / 21195.4 – 54,0 kg<br>21395.6 – 40,0 kg / 21395.7 – 42,5 kg<br>21095.4 – 59,0 kg / 21195.0 – 58,5 kg<br>21195.5 – 71,0 kg   |                     |   |
| Mounting acc. excl. | Mounting box type DN 50, height 100 mm incl. waste, $\varnothing$ 90 mm without cover (pre-assembled) left, order no. 29004.3, right, order no. 29004.4<br>Mounting box type DN 40, height 75 mm incl. waste, $\varnothing$ 90 mm without cover (pre-assembled) left, order no. 29003.3, right, order no. 29003.4<br><br>Waste DN 50, $\varnothing$ 90 mm without cover, order no. 29512.7<br>Mounting box type DN 50, height 100 mm, left, order no. 29004.1, right, order no. 29004.2<br>Mounting box type DN 40, height 75 mm, left, order no. 29003.1, right, order no. 29003.2 | Otherwise           | For customised Marbond shower trays order no. 21295.0 please use the order form.  |
|                     |   | Colours             | 000 – White matt structured, 077 – Light grey matt structured, 078 – Anthracite matt structured   |

### TECHNICAL DRAWINGS / S 1 : 20



| Order no. | A / mm | B / mm | C / mm | D / mm |
|-----------|--------|--------|--------|--------|
| 21595.4   | 1400   | 700    | 700    | 30     |
| 21095.3   | 1400   | 800    | 700    | 30     |
| 21095.9   | 1400   | 900    | 700    | 30     |
| 21195.4   | 1400   | 1000   | 700    | 30     |
| 21395.6   | 1600   | 700    | 800    | 32     |
| 21395.7   | 1600   | 750    | 800    | 32     |
| 21095.4   | 1600   | 800    | 800    | 32     |
| 21195.0   | 1600   | 900    | 800    | 33     |
| 21195.5   | 1600   | 1000   | 800    | 33     |