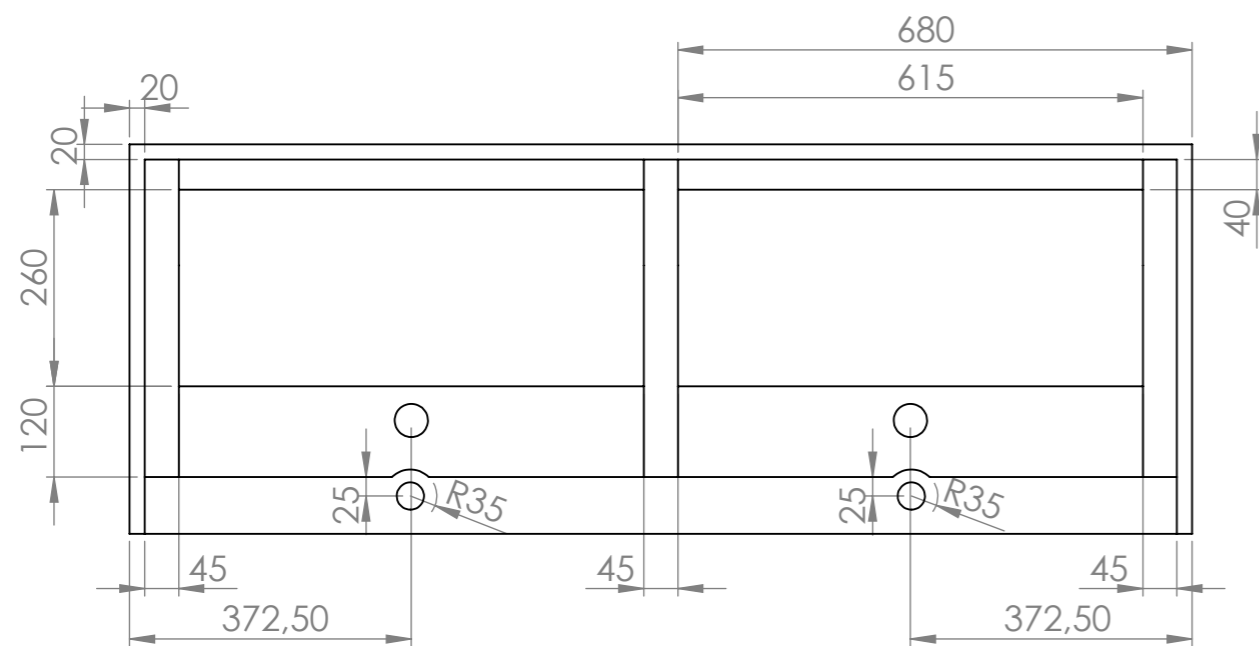


SECTION A-A
SCALE 1 : 5



UNLESS OTHERWISE SPECIFIED: DIMENSIONS ARE IN MILLIMETERS SURFACE FINISH: TOLERANCES: LINEAR: ANGULAR:	FINISH:	DEBUR AND BREAK SHARP EDGES	DO NOT SCALE DRAWING	REVISION
	NAME		TITLE: Palermo doppio	
DRAWN	E. Anninga		forzalaqua To endure the power of water	
APPV'D	R. Straten			
MFG			DWG NO.	A3
Q.A		MATERIAL:		
		WEIGHT: (2.9 p)	SCALE: 1: 8	SHEET 1 OF 1