

For any further information please contact  
Crosswater on: **0845 873 8840**

Or visit our web-site at [www.crosswater.co.uk](http://www.crosswater.co.uk)

The manufacturer reserves the right to make technical  
modifications without prior notice.

INSTALLATION INSTRUCTIONS

## INTRODUCTION

Please read these instructions carefully and keep in a safe place for future reference.

### General Installation Requirements.

The installation must comply with regulations of the Local Water Authority as contained in their bylaws. All of the taps in this range are single flow (the hot and cold water mix in the body) and should therefore be supplied with hot and cold water at balanced pressures, both from the tank or both from the mains (via a combination boiler for example). If the taps are not supplied at balanced pressures then the mixer will not function correctly. It will also be necessary to fit non-return valves on both hot and cold feeds. It is very important that all pipework is flushed thoroughly after installation to avoid damaging the ceramic discs.

### Minimum/Maximum working pressure

These taps are suitable for high and low pressure installations. They are fitted with a quarter turn ceramic disc cartridge which provides a good flow rate with very smooth movement. To ensure that the mixer works adequately under low pressure, the cold water storage tank should be at least 2 metres above the highest installed position. The maximum water pressure is 6 bar (note: mains cold water is normally supplied at between 2 and 3 bar). For installations where the mains pressure exceeds 6 bar a pressure reducing valve should be fitted.

The tap is fitted with a flow straightener for use in low pressure installations. If your water is supplied at high pressure you may prefer to change the nozzle to an aerator (supplied in the box) see page 6.

### Approvals

All products are manufactured using materials tested and approved under the Water Bylaws Scheme and comply with requirements of British Standard 5412:1996 where applicable.

### Preparation and byelaw requirements

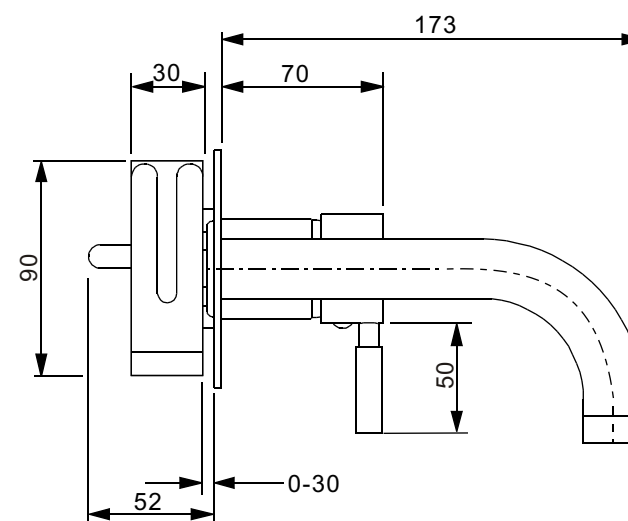
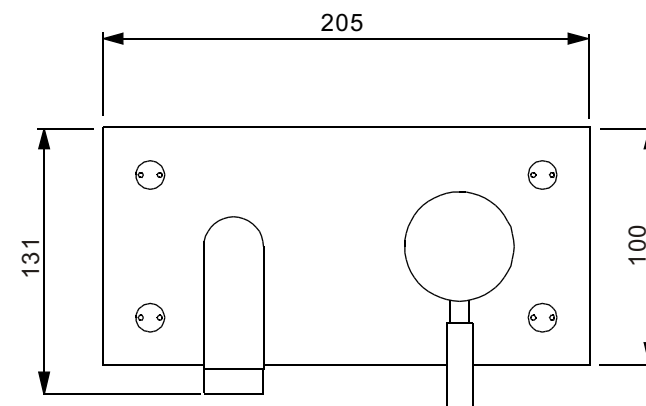
These taps are single flow so the hot and cold water mix in the body. Water byelaws require that where the hot water is supplied from a tank and cold from the mains, non return valves are fitted on both hot and cold pipes as close as possible to the tap. These are not supplied. Where combination boilers are fitted it is only necessary to shut off the incoming mains and turn the boiler off and non return valves are not required.

### WARNING

**Before installing the new mixer it is essential that you thoroughly flush through the supply pipes in order to remove any remaining swarf, solder or other impurities. Failure to carry out this simple procedure could cause problems or damage to the working of the mixer.**

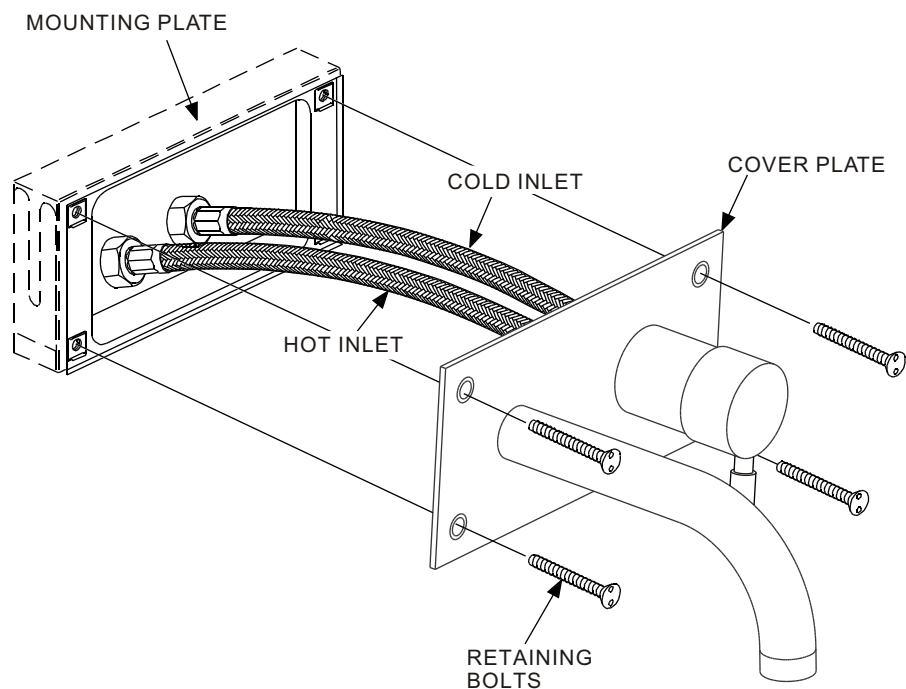
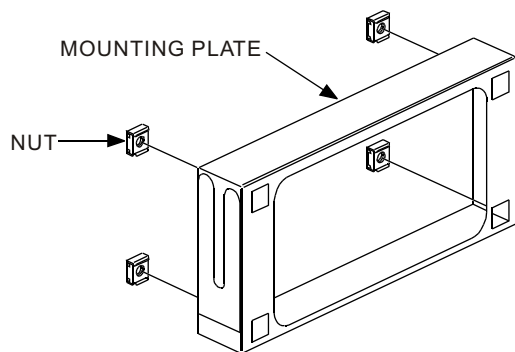
These hints have been prepared for your guidance, you must exercise due care at all times. We do not accept responsibility for any problems that may occur through incorrect installation.

## DIMENSIONS



NOTE: ALL DIMENSIONS IN MILLIMETRES

## INSTALLATION



## INSTALLATION

First shut off your water heating system then, with your mains stop cock closed, open the lowest hot and cold taps in the house and allow to run until the cold storage tank and pipes are empty (the hot water storage cylinder always remains full).

Where combination boilers are fitted it is only necessary to turn off the boiler and shut off the incoming mains.

Fitting isolating valves to the inlet feeds is recommended for ease of maintenance.

## INSTALLATION

**⚠ Remember to turn off the mains water supply before connecting to any existing pipe work.**

**⚠ Warning! Please check for any hidden pipes and cables before drilling holes in the wall**

## Mounting plate

Squeeze together the top and bottom of the nuts and insert into the square holes in the mounting plate.

A recess must be made in the wall to accommodate the mounting plate, mixer and flexible hoses. The front face of the mounting plate can be recessed up to 30mm from the face of the wall (See dimension page).

Place the mixer in position, check to see if any alterations are needed to the existing pipe work.

Secure the mounting plate into the recess in the wall.

## Valve

Apply a narrow bead of clear silicone sealant around the back edge of the cover plate and carefully press into position. Secure with the 4 bolts using the adaptor and a slotted screwdriver.

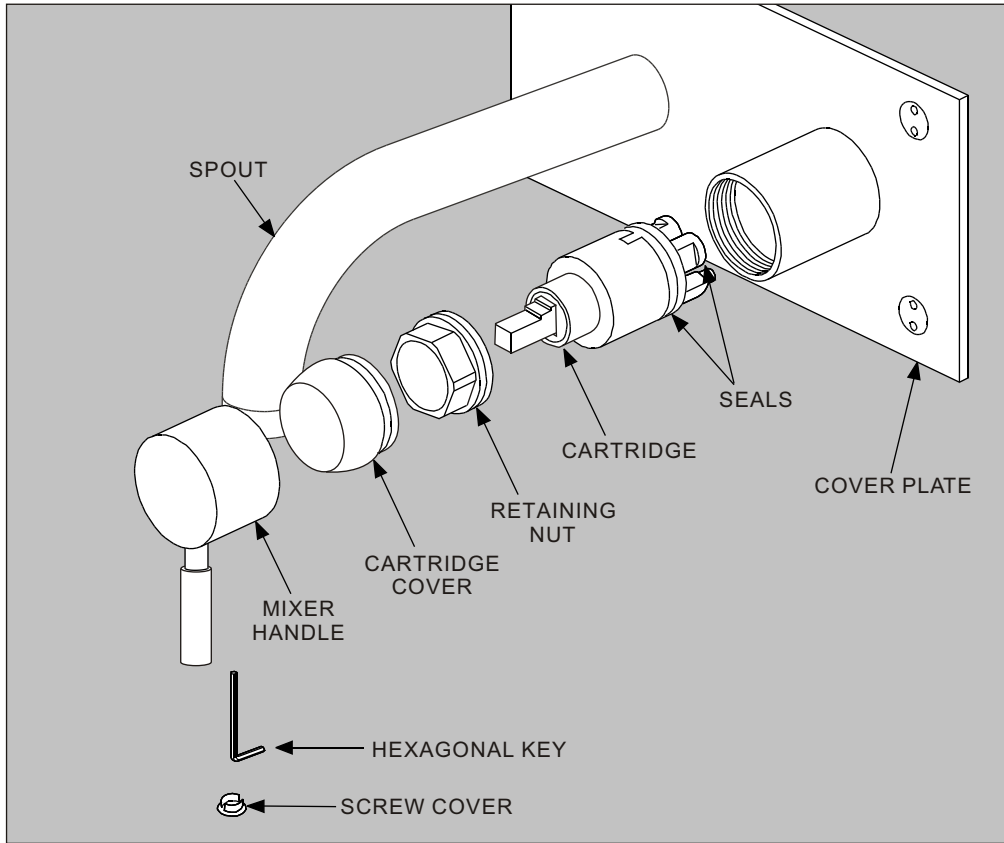
Connect the water supply to the tap with hot water on the left and cold on the right. (When viewed from the front).

## ATTENTION

Having first checked all new connections, turn on the mains stop cock, close all taps except the new mixer and as the system starts to refill check for leaks.

Once you have satisfied yourself that there are no leaks, switch on the water.

**MAINTENANCE**



**CLEANING THE CARTRIDGE**

The concealed cartridge should give troublefree service, but in the event of any problems, servicing is straightforward.

**To remove the cartridge.**

Pull off the screw cover on the mixer handle and undo the screw with a hexagonal key, but do not remove, pull off the handle. Unscrew the cartridge cover and carefully using the correct size spanner unscrew the retaining nut and remove the cartridge. Wash the cartridge with clean running water and make sure that any trapped debris has been removed. Dry and lightly grease the seals (only use silicone grease) replace the cartridge, retaining nut, cartridge cover followed by the mixer handle. Re tighten the handle screw and replace the screw cover.

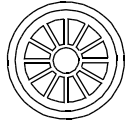
**MIXER NOZZLES**

All the taps are fitted with a flow straightener for use in low pressure installations. If your water is supplied at high pressure you may prefer to change the nozzle to an aerator (supplied in the box).

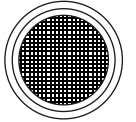
**To change the nozzle**

Unscrew the nozzle from the mixer taking care not to lose the washer. Replace the washer, and screw on the chosen nozzle hand tighten only.

FLOW STRAIGHTENER



AERATOR



**CLEANING**

The chrome we use on our taps is very durable, nevertheless care should be taken when cleaning them. They should be cleaned only with warm soapy water followed by rinsing with clean water and drying with a soft cloth. All finishes are vulnerable to acid attack and some strong substances such as household cleaners, disinfectants, denture cleaners, hair dyes, wine making and photographic chemicals can cause the surface to go black or peel.